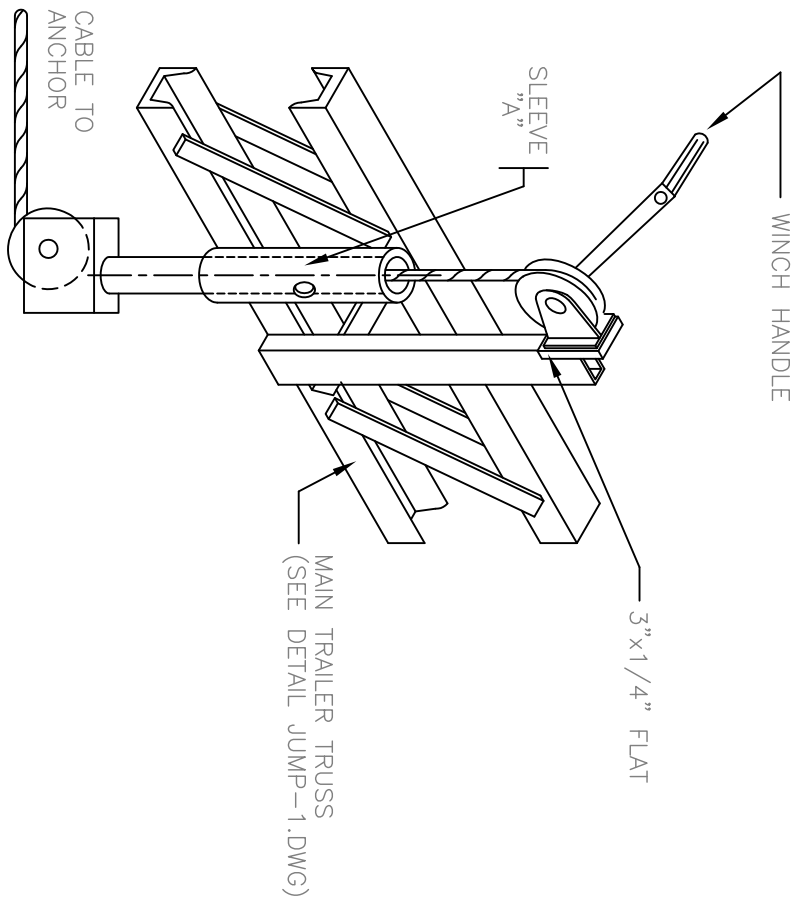
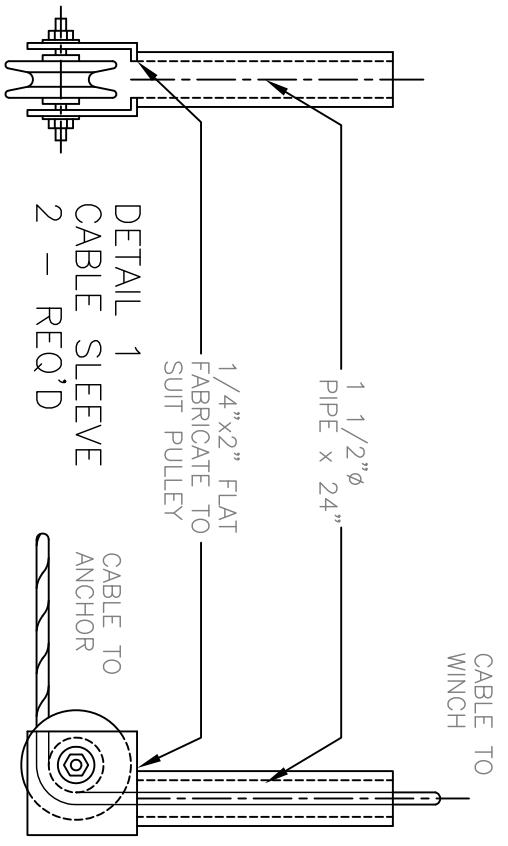


NB: INSERT THESE UNITS INTO THE 2"Ø PIPE SLEEVE -"A" SO THAT THE TOP IS FLUSH WITH SLEEVE -"A". ROTATE SO PULLEY IS IN LINE WITH CABLE TO ANCHOR AND TIGHTEN SET SCREW.

THIS SLEEVE WILL DROP THE LEVEL OF THE ANCHOR CABLE BELOW PROP DEPTH ALLOWING BOATS TO PULL UP TO THE JUMP.



Designed By: **MAFIX**
Marine Equipment Ltd.
Ken and Kerem Nelson
100, The Esplanade, Weymouth, Dorset, UK. DT98 3AB
Phone: (01305) 369249

Drawing Title: **MSF WATER SKI JUMP FRONT CABLE GUIDE DETAILS**

Drawn By: HUKALO OBERG ENGINEERING LTD.

Date: FEB 1995

File Name: MSF-L_R3.DWG