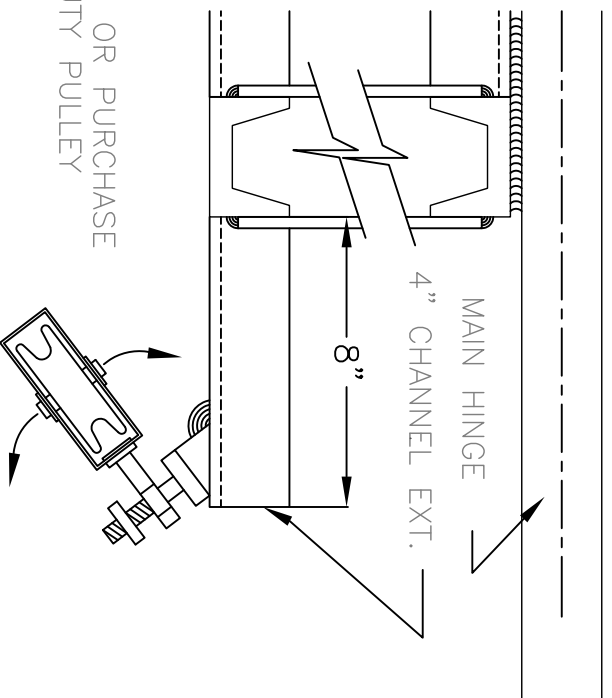


NB: FABRICATE OR PURCHASE HEAVY-DUTY PULLEY BLOCKS.

MOUNT AS SHOWN TO ALLOW IT TO SWIVEL TO ENSURE THE CABLE SEATS INTO THE PULLEY PROPERLY



REAR CABLE GUIDE



Designed By:

MATRIX
Marine Equipment Ltd
Ken and Karen Nelson
Unit 2, Road 6, Park 1, The 201
St. Leonards, NSW 2211
Phone: (02) 955-8128

Drawing Title:

**MSF WATER SKI JUMP
REAR CABLE GUIDE DETAILS**

Drawn By:

HUKALO OBERG ENGINEERING LTD.

Date:

FEB 1995

File Name:

MSF_L_R3.DWG