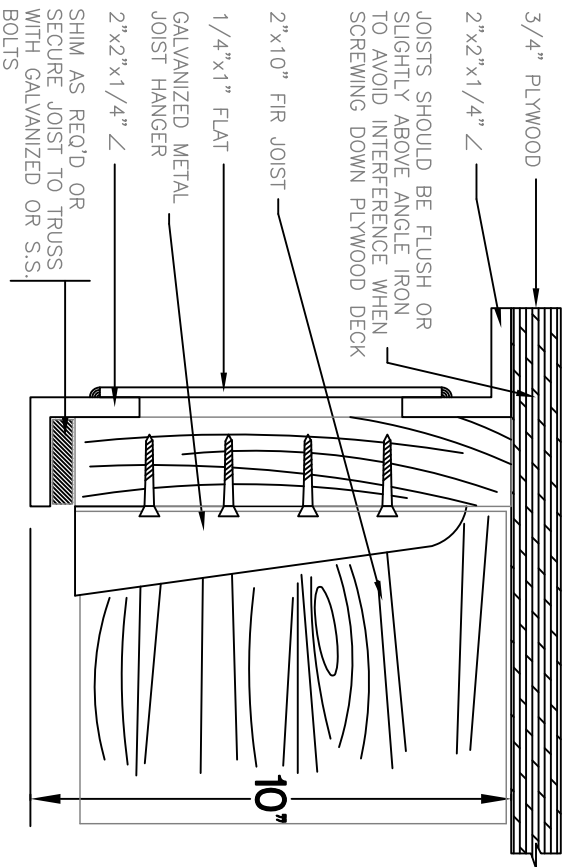
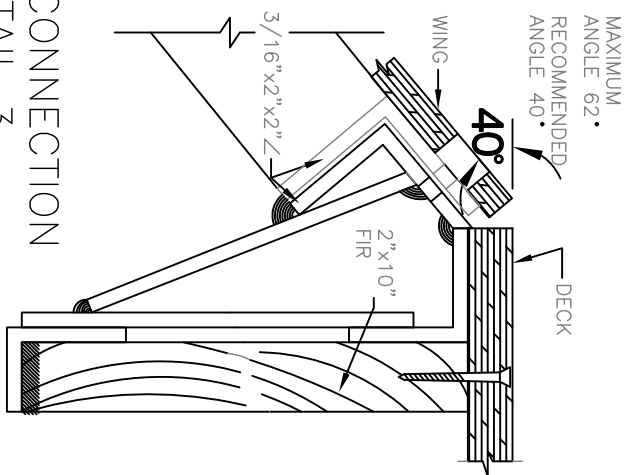
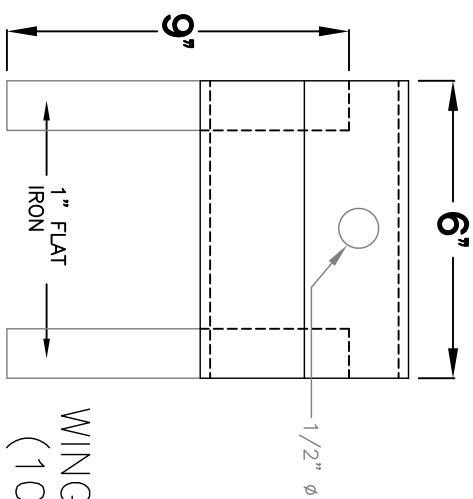


WING CONNECTION
DETAIL 3



X-SECTION OF MAIN
DECK TRUSSES



NB: ATTACH WING BRACKETS TO DECK TRUSSES AT ABOUT 6'-0" C.C. & 1'-0" FROM EACH END. DRILL 1/2" ø HOLES AFTER HOLES IN WING ARE DRILLED. SECURE WITH 1/2" X 1" SS BOLTS

WING BRACKET
(10 REQ'D)



Designed By:

MATRIX
Matrix Marine Equipment Ltd.
Ken and Karen Nelson
Unit 2, Box 8, Rd. 1
P.O. Box 1000
Victoria, BC V8N 2H1

Drawing Title:

**MSE WATER SKI JUMP
WING/DECK TRUSS DETAILS**

Drawn By:

HUKALO OBERG ENGINEERING LTD.

Date:

FEB 1995

File Name:

MSFL_R2.DWG