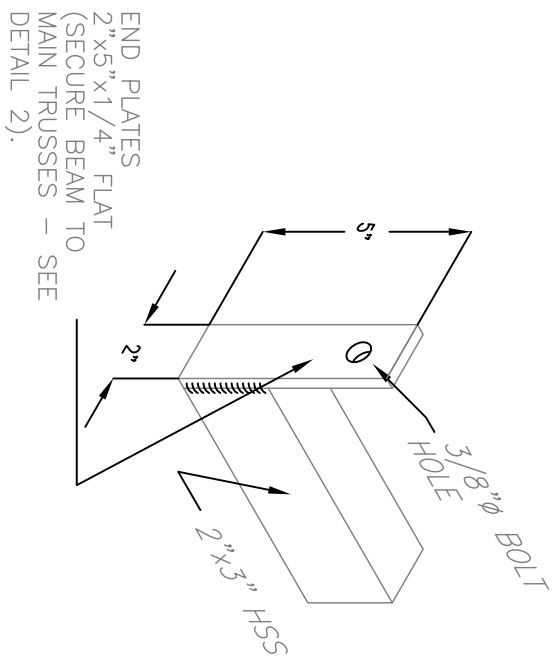
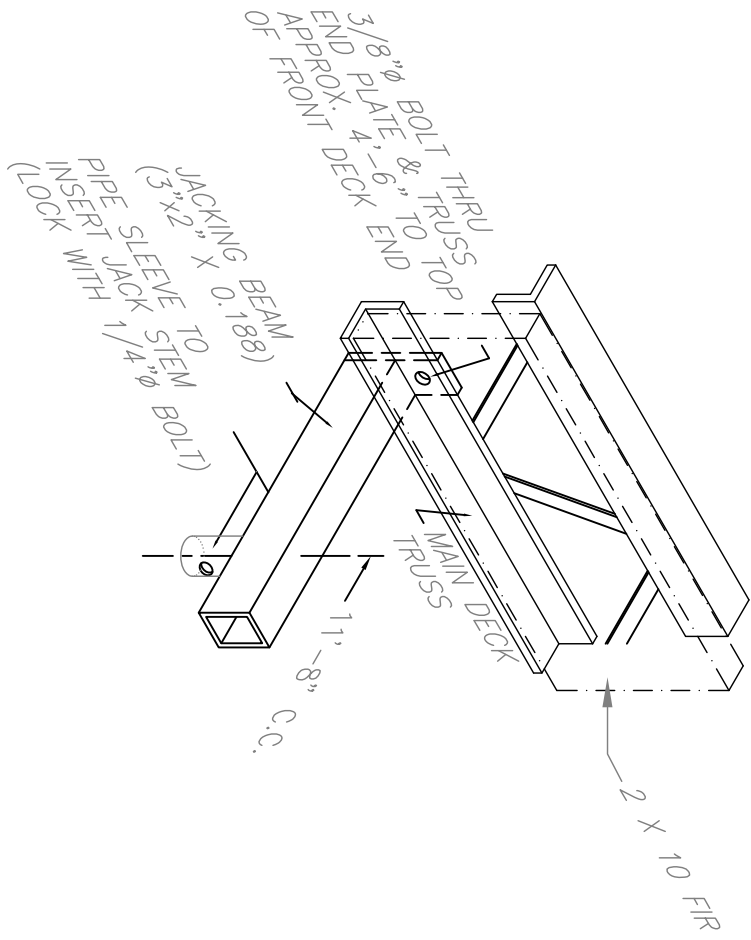


JACKING BEAM - TRUSS CONNECTION DETAIL 2



END PLATES



Designed By:
MATRIX
 Marine Equipment Ltd.
 Ken and Karen Nelson
 Site 2 Box B, Rte. 1
 P.O. Box 200
 Plover, WI 53082
 Phone: (763) 326-2625, 96 2X1

Drawing Title:
**MSF WATER SKI JUMP
 JACKING BEAM/TRUSS CONNECTION**

Drawn By: HUKALO OBERG ENGINEERING LTD.

Date: FEB 1995

File Name: IWSFL_R2.DWG