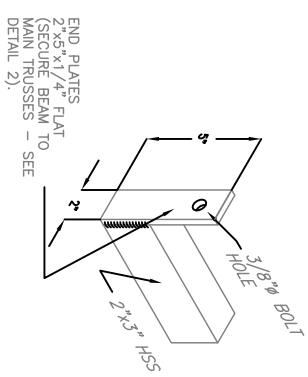
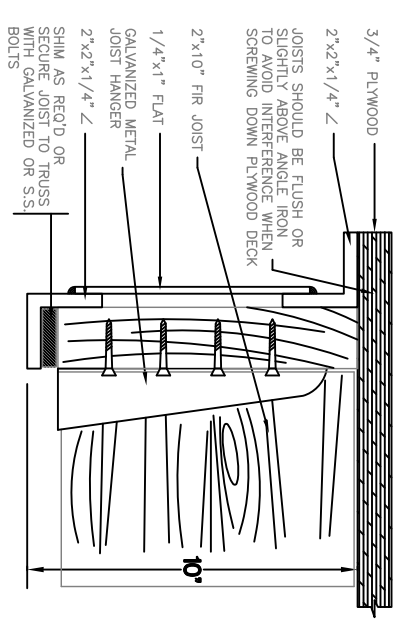


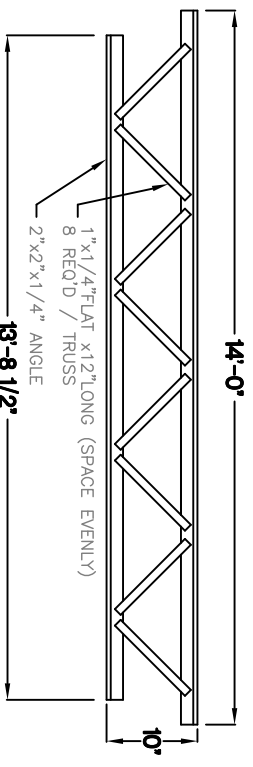
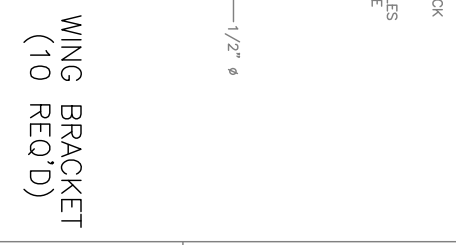
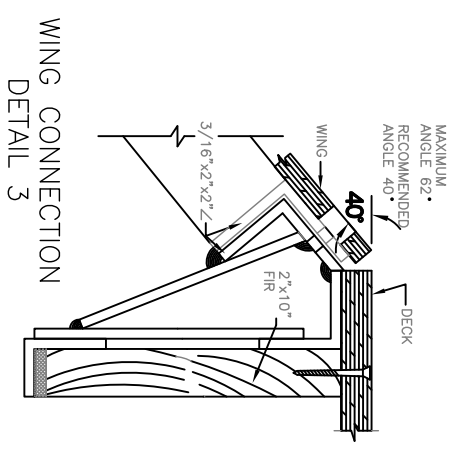
JACKING BEAM - TRUSS CONNECTION
DETAIL 2



END PLATES

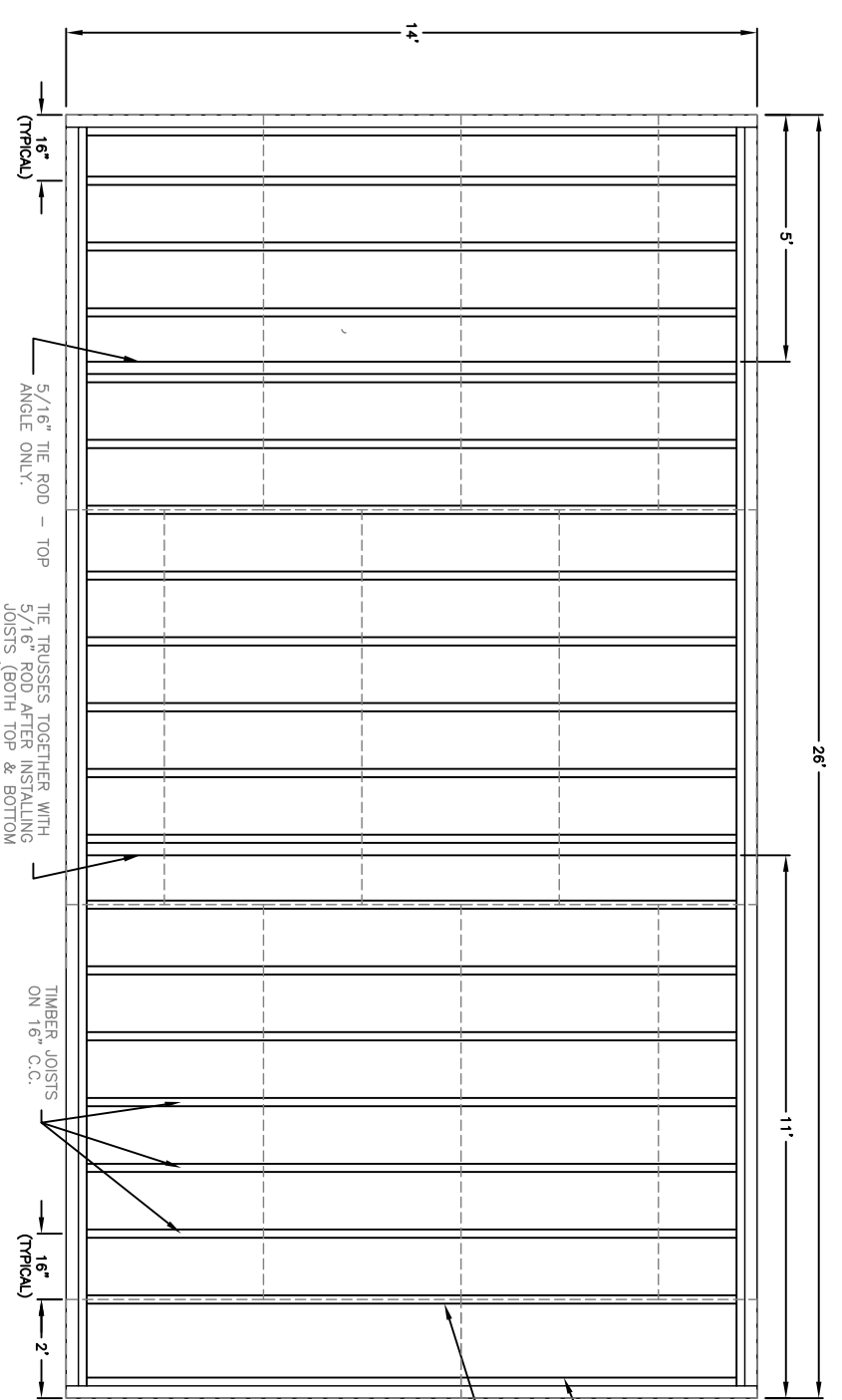


X-SECTION OF MAIN
DECK TRUSSES



END TRUSS FOR MAIN DECK
TYPICAL - 2 REQ'D

NB: ON TRUSS FOR TOP OF MAIN DECK
ADD 6 SLEEVES - 1\"/>



DECK LAYOUT

DASHED LINES SHOW TYPICAL LAYOUT FOR PLYWOOD DECK

2"x10" FIR SECURED TO INSIDE FACE OF TRUSSES WITH BOLTS USE A SHIM BETWEEN JOIST & BOTTOM ANGLE OF TRUSS TO ENSURE JOIST IS FLUSH WITH TOP OF TRUSS.

2"x10" FIR JOISTS ON 16" C.C. STARTING AT TOP END (LAST SPACE IS APPROX. 21" C.C.) MEASURING FROM EDGE OF ANGLE IRON TRUSS (SEE DIAGRAM)

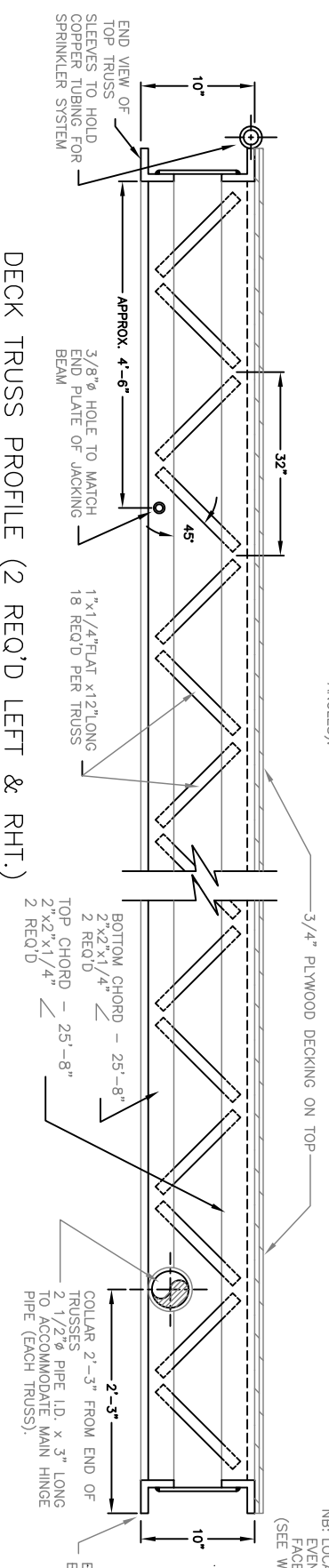
24 - 2"x10"x14'-0" FIR REQ'D (CUT TO LENGTH REQ'D).

36 - HEAVY-DUTY JOIST HANGERS

DECK COVER

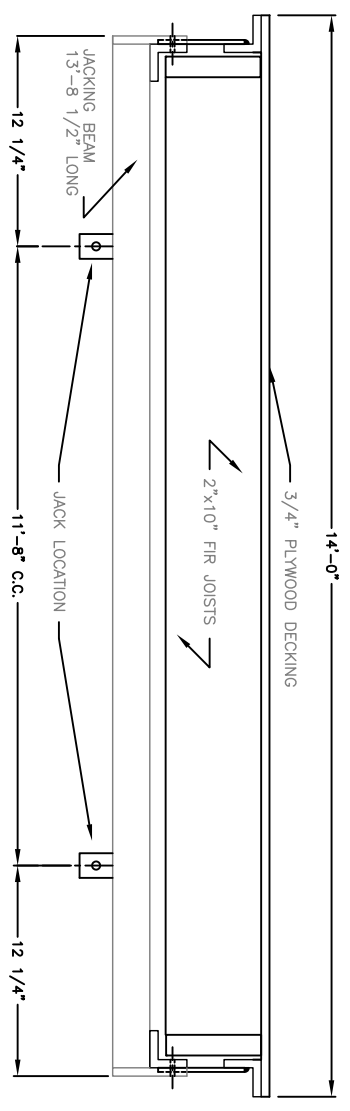
3/4" SELECT FIR PLYWOOD OR MARINE OR EXTERIOR GRADE/ (PRESSURE TREATED BUT IT IS VERY ROUGH).

G.I.S. IS OK BUT WILL NOT LAST AS LONG.



DECK TRUSS PROFILE (2 REQ'D LEFT & RHT.)

NB: LOCATE 5 WING BRACKETS EVENLY SPACED ON OUTSIDE FACE OF EACH TRUSS (SEE WING CONNECTION DETAIL 3)



DECK c/w JACKING BEAM

NB: JACKING BEAM
2 x 3" x 0.188 RECT. TUBING

ASSUMING THE USE OF HYDRAULIC JACKS, THE NIPPLES SHOULD SUIT THE TOP OF THE JACK BUT BE A LITTLE LOOSE TO ALLOW FOR THE CHANGE IN ANGLE AS THE DECK IS RAISED.



Drawing Title:
**MSEF WATER SKI JUMP
MAN DECK AND DETAILS**

Designed By:

MATEX
Marte Equipment Ltd.
Ken and Karen Nelson
Site 2, Box 9, R.R. 1
Leduc, Alberta, Canada, T9E 2X1
Phone: (403) 965-9429

Drawn By: HUKALO OBERG ENGINEERING LTD.

Date: APRIL 1993
File Name: WSFJMP2.DWG