



The Heirisson Island Tournament Water Ski Club jump is situated on the Swan River, in the heart of Perth. The jump was wholly constructed by volunteer members of the Heirisson Island Tournament Water Ski Club.



The concept of our jump was to make as much as possible bolted together so that it can be easily transported to the galvanisers. It also had to be constructed by people with minimal skills and minimum equipment. All you need is a drop saw, an angle grinder, a ½” heavy duty low speed electric drill and an arc welder. There is also a demountable section below the waterline which is not only to make the bottom stiffer, but (in theory) to be removable so as to repair damage caused by some of the idiots that drive Jet Skis over it. The hydraulic rams are positioned so that the jump goes between 1m and 1.85m.

The following Jump plans were created by club member Robert Bingham in 2008-9 and are made freely available to the water ski community in the hope that they will advance the sport. Our thanks are due to Robert; however they carry no warranty as to fitness for purpose whatsoever. For further information on design and construction please contact Robert Bingham at;-

[Robert.b.bingham@gmail.com](mailto:Robert.b.bingham@gmail.com)

A photo gallery of jump construction can be found at;-

<http://www.hitwaterski.com.au/>

For information regarding membership, tournaments and other club activities please email [info@hitwaterski.com.au](mailto:info@hitwaterski.com.au)

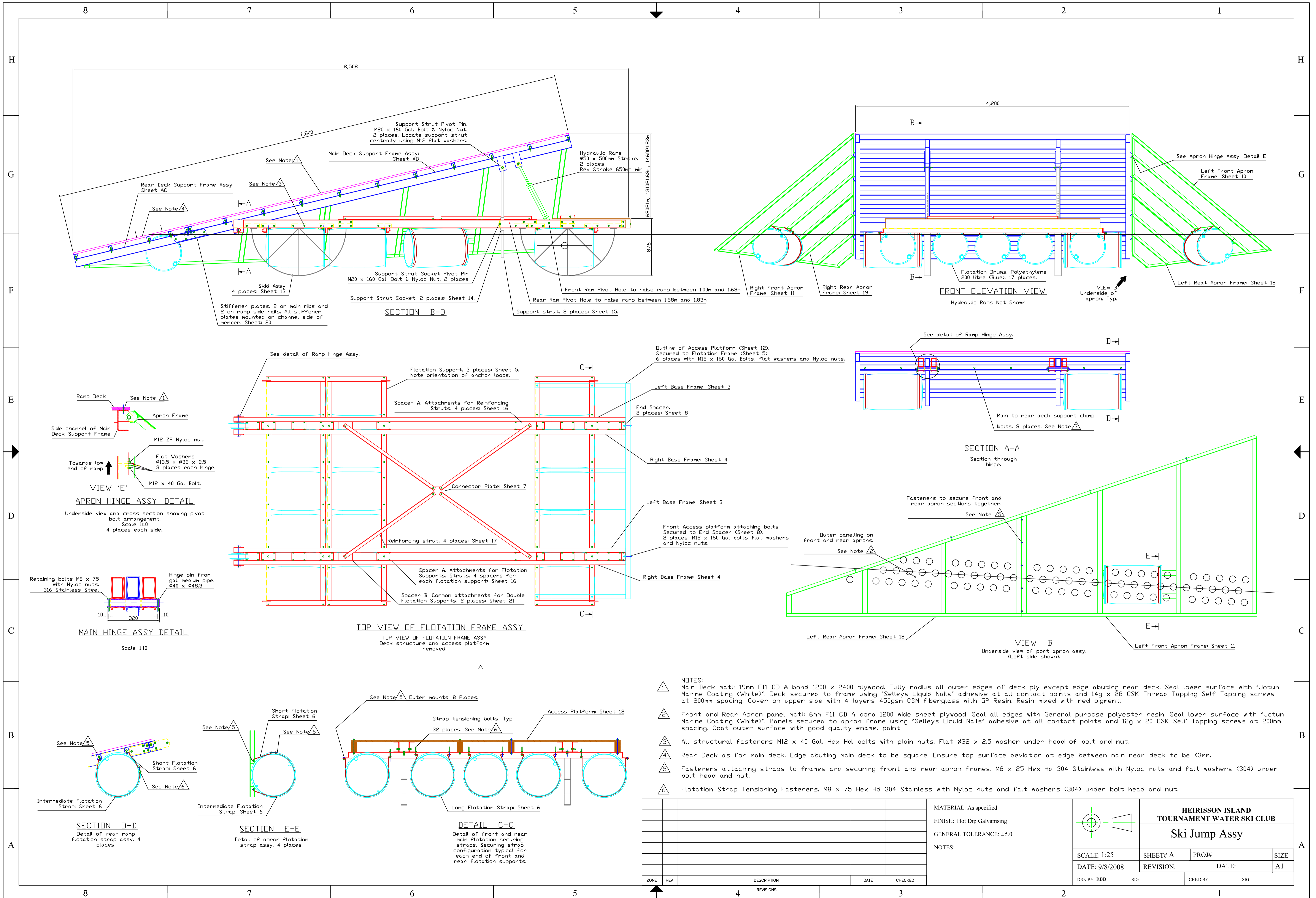
---

## Ski Jump Drawing List

Sheet	Drawing Name	Sheet Size
GA	Ski Jump 2	A1
AB	Main Deck Support Assy	A1
AC	Rear Deck Support Assy	A1
1	Main Deck Support	A1
2	Rear Deck Support	A1
3	Left Base Frame	A1
4	Right Base Frame	A1
5	Flotation Support	A1
6	Flotation Straps	A1
7	Connector plate	A4
8	Front Spacer	A4
9	Pivot Pin	A4
10	Left Front Apron Frame	A1
11	Right Front Apron Frame	A1
12	Access Platform	A1
13	Skid Assy.	A1
14	Strut Socket	A3
15	Support Strut	A2
16	Spacer A	A4
17	Reinforcing Strut	A2
18	Left Rear Apron Frame	A1
19	Right Rear Apron Frame	A1
20	Stiffener plate	A4
21	Spacer B	A4
22	Deck Cross Beam	A2
23	Deck Junction Cross Beam	A2
24	Main Deck Left Side Beam	A1
25	Main Deck Right Side Beam	A1
26	Main Deck Left Beam	A1
27	Main Deck Right Beam	A1
28	Rear Deck Left Side Beam	A2
29	Rear Deck Right Side Beam	A2
30	Rear Deck Left Beam	A2
31	Rear Deck Right Beam	A2
32	Left Flotation Support Beam	A3
33	Right Flotation Support Beam	A3
34	Ram Bracket	A4

## Ski Jump Parts Inventory for Galvanising

Sheet No.	Part Name	Material	Qty
3	Left Base Frame	125 x 65 Channel x 6m	2
4	Right Base Frame	125 x 65 Channel x 6m	2
5	Flotation Support	75 x 75 x 6 Angle Frame	3
6	Flotation Straps- Outer main	5 x 25 Flat Bar formed	12
6	Flotation Straps- Inner main	5 x 25 Flat Bar formed	18
6	Flotation Straps- Intermediate	5 x 25 Flat Bar formed	8
6	Flotation Straps- Short	5 x 25 Flat Bar formed	8
7	Connector plate	150 x 200 x 6 Flat Plate	1
8	Front Spacer	125 x 65 Channel x 125	2
9	Pivot Pin	40 dia Steel Tube x 330	2
10	Left Front Apron Frame	50 x 50 x 5 Angle and 75 x 40 Channel Welded Frame	1
11	Right Front Apron Frame	50 x 50 x 5 Angle and 75 x 40 Channel Welded Frame	1
13	Skid Assy.	100 x 6 Flat bar welded frame	4
14	Strut Socket	50 x 50 x 4 SHS tube welded component	2
15	Support Strut	40 x 40 x 4 SHS tube x 1.4m	2
16	Spacer A	125 x 65 Channel x 220 (1 hole)	12
17	Reinforcing Strut	50 x 50 x 5 Angle x 1.7m	4
18	Left Rear Apron Frame	50 x 50 x 5 Angle and 75 x 40 Channel Welded Frame	1
19	Right Rear Apron Frame	50 x 50 x 5 Angle and 75 x 40 Channel Welded Frame	1
20	Stiffener plate	100 x 10 Flat Bar x 500	4
21	Spacer B	125 x 65 Channel x 220 (2 hole)	2
22	Deck Cross Beam	75 x 40 Channel x 4.07m	13
23	Deck Junction Cross Beam	75 x 40 Channel x 4.07m	2
24	Main Deck Left Side Beam	125 x 65 Channel x 6m	1
25	Main Deck Right Side Beam	125 x 65 Channel x 6m	1
26	Main Deck Left Beam	125 x 65 Channel x 6m	1
27	Main Deck Right Beam	125 x 65 Channel x 6m	1
28	Rear Deck Left Side Beam	125 x 65 Channel x 1.8m	1
29	Rear Deck Right Side Beam	125 x 65 Channel x 1.8m	1
30	Rear Deck Left Beam	125 x 65 Channel x 1.8m	1
31	Rear Deck Right Beam	125 x 65 Channel x 1.8m	1
32	Left Flotation Support Beam	75 x 40 Channel x 1.068m	1
33	Right Flotation Support Beam	75 x 40 Channel x 1.068m	1



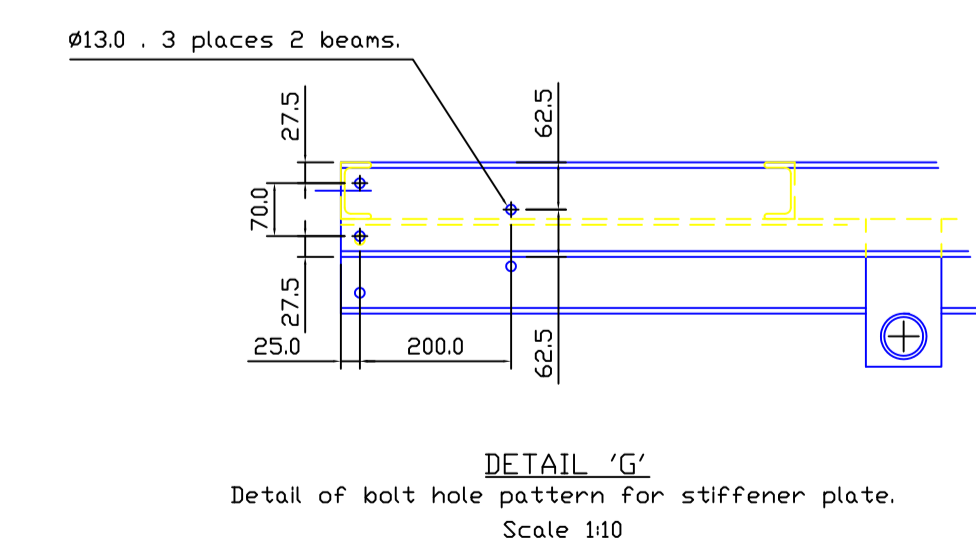
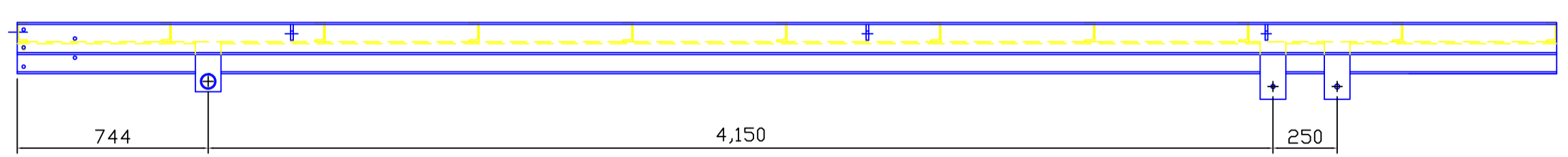
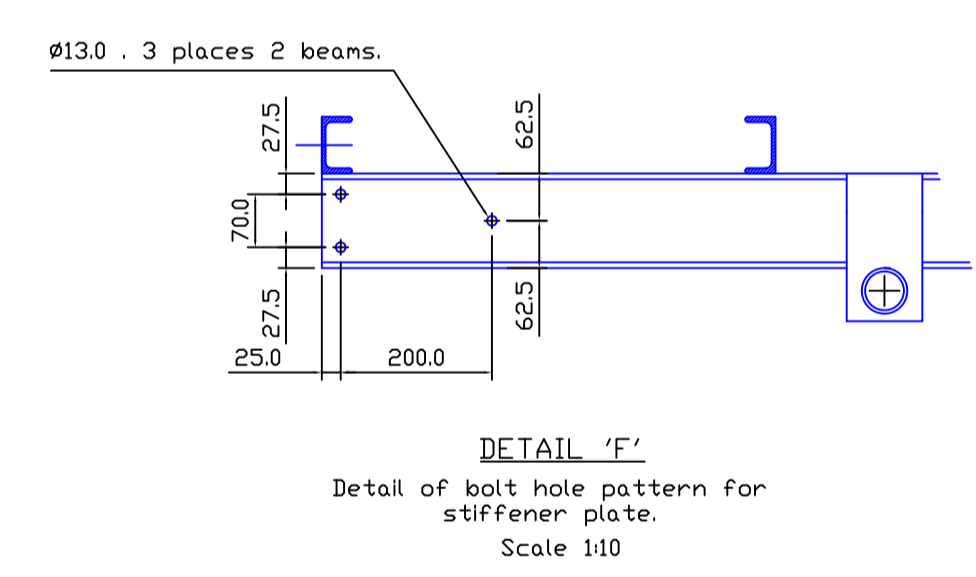
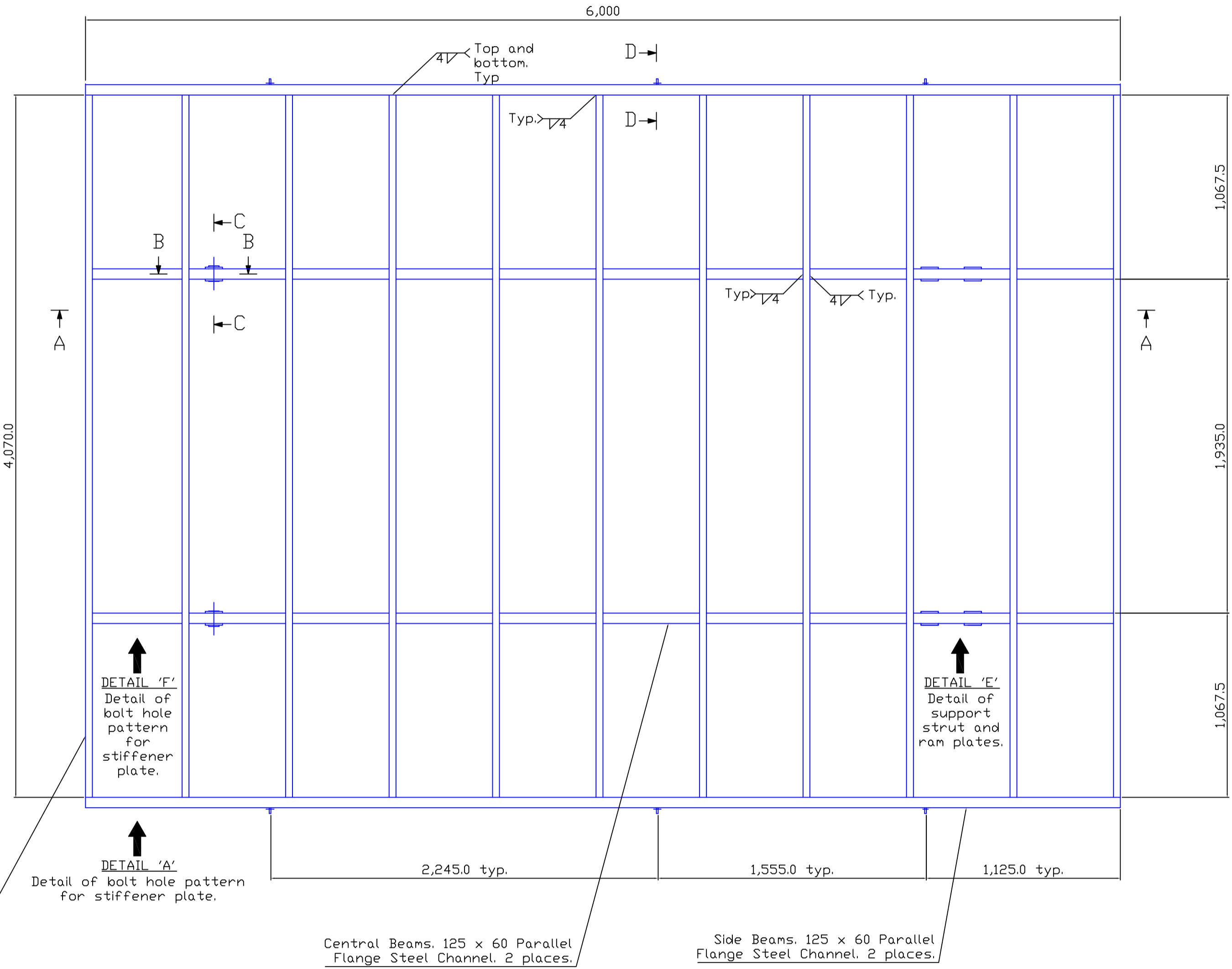
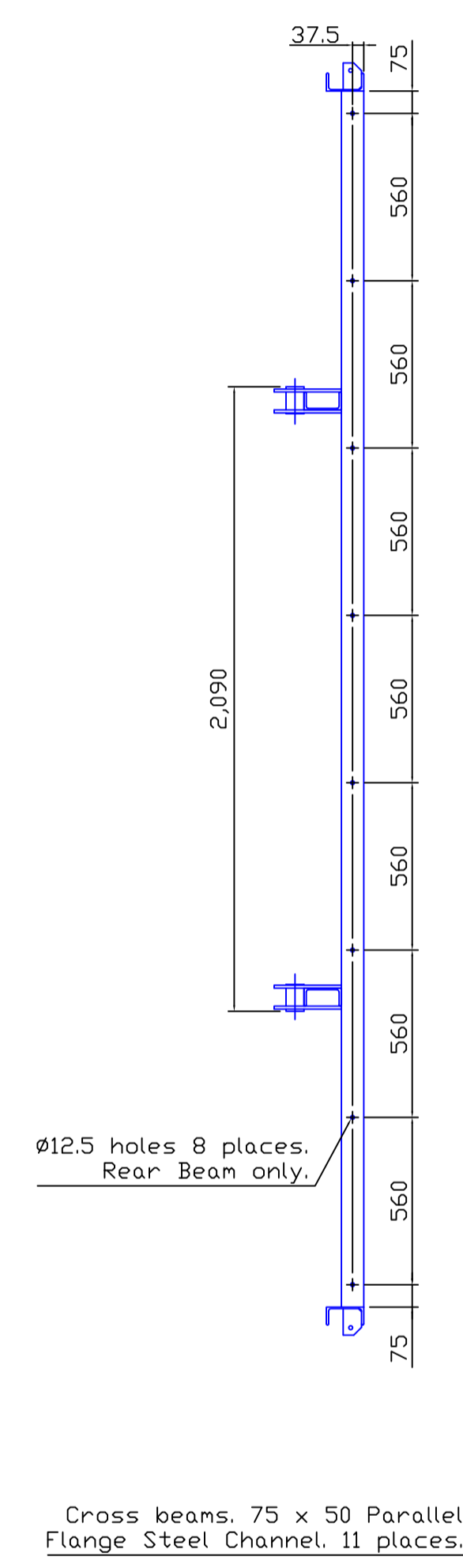
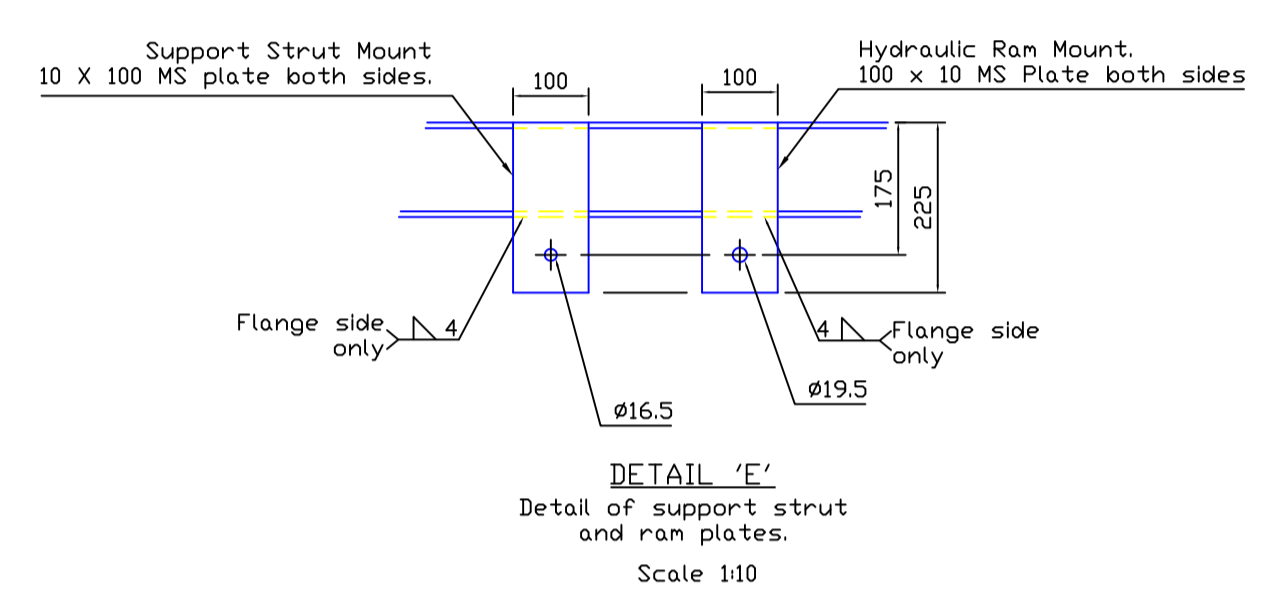
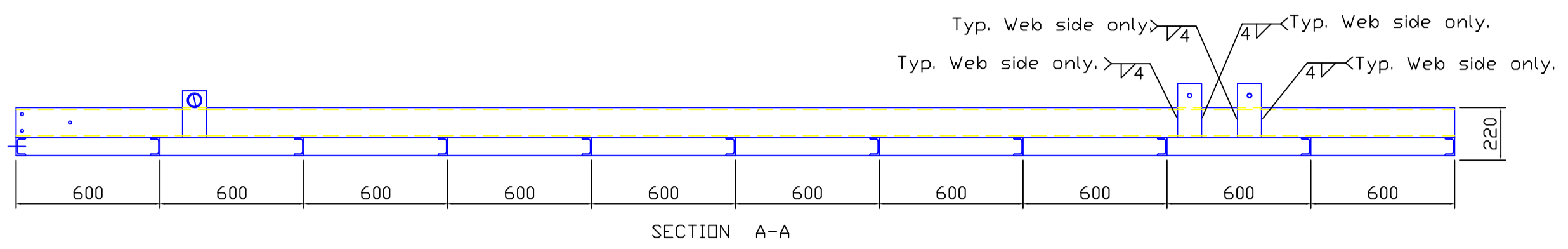
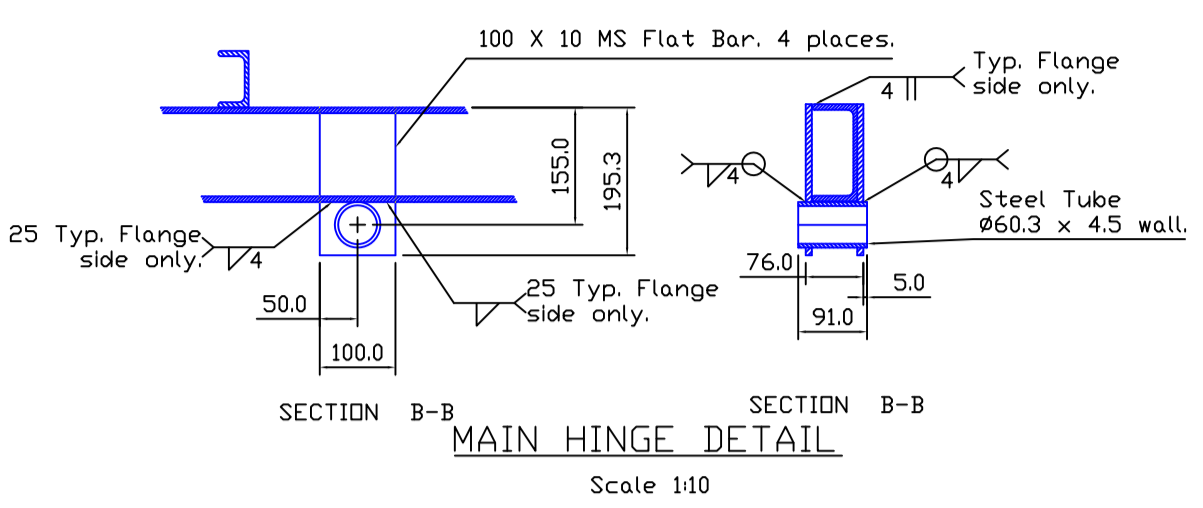
- NOTES:**
- 1 Main Deck mat: 19mm F11 CD A bond 1200 x 2400 plywood. Fully radius all outer edges of deck ply except edge abutting rear deck. Seal lower surface with 'Jotun Marine Coating (White)'. Deck secured to frame using 'Selleys Liquid Nails' adhesive at all contact points and 14g x 28 CSK Thread Tapping Self Tapping screws at 200mm spacing. Cover on upper side with 4 layers 450gsm CSM Fiberglass with GP Resin. Resin mixed with red pigment.
  - 2 Front and Rear Apron panel mat: 6mm F11 CD A bond 1200 wide sheet plywood. Seal all edges with General purpose polyester resin. Seal lower surface with 'Jotun Marine Coating (White)'. Panels secured to apron frame using 'Selleys Liquid Nails' adhesive at all contact points and 12g x 20 CSK Self Tapping screws at 200mm spacing. Coat outer surface with good quality enamel paint.
  - 3 All structural fasteners M12 x 40 Gal. Hex Hd. bolts with plain nuts. Flat Ø32 x 2.5 washer under head of bolt and nut.
  - 4 Rear Deck as for main deck. Edge abutting main deck to be square. Ensure top surface deviation at edge between main rear deck to be <3mm.
  - 5 Fasteners attaching straps to frames and securing front and rear apron frames. M8 x 25 Hex Hd 304 Stainless with Nyloc nuts and flat washers (304) under bolt head and nut.
  - 6 Flotation Strap Tensioning Fasteners. M8 x 75 Hex Hd 304 Stainless with Nyloc nuts and flat washers (304) under bolt head and nut.

ZONE	REV	DESCRIPTION	DATE	CHECKED

MATERIAL: As specified  
 FINISH: Hot Dip Galvanising  
 GENERAL TOLERANCE: ± 5.0

NOTES:

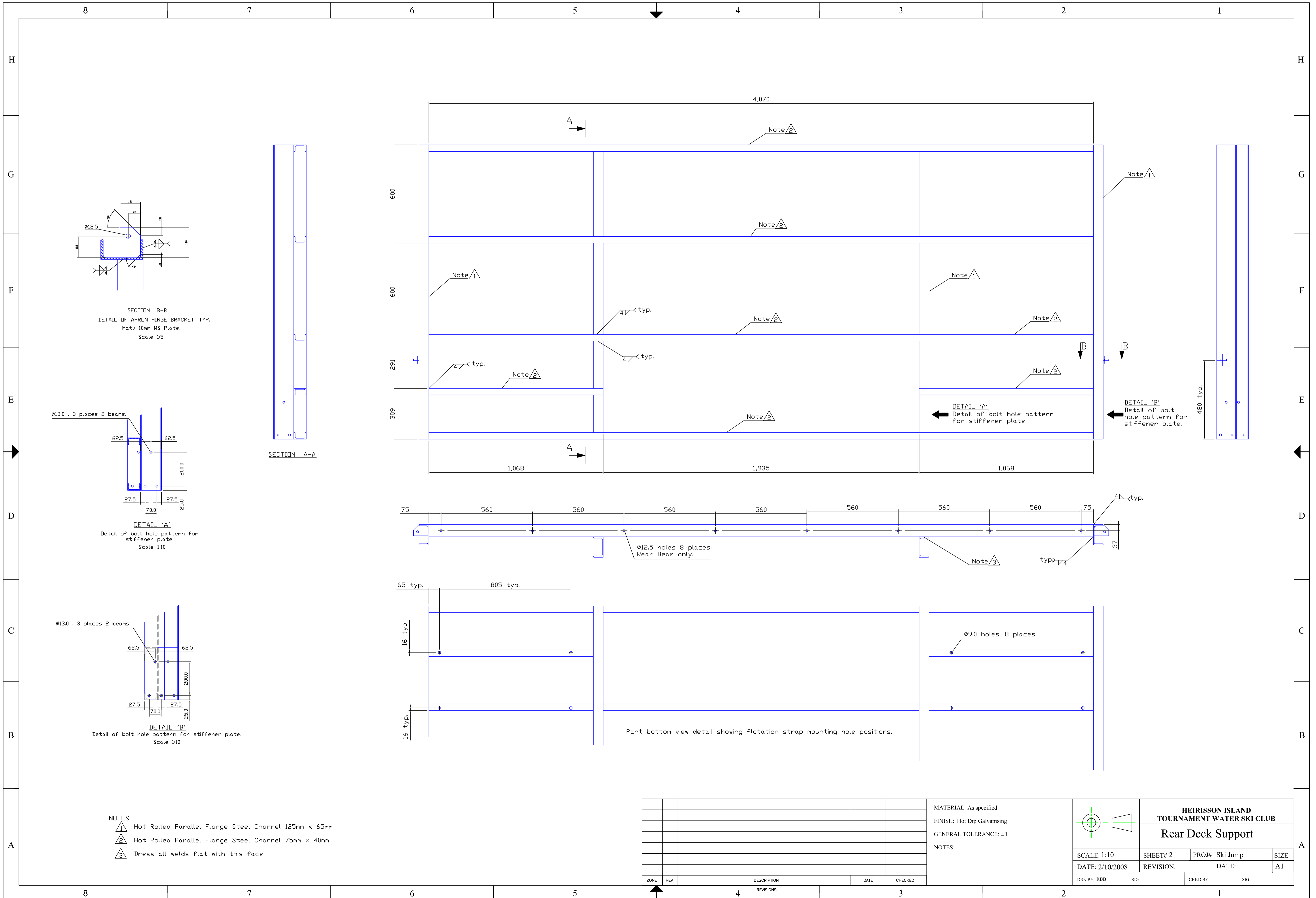
<b>HEIRISSON ISLAND TOURNAMENT WATER SKI CLUB</b>			
<b>Ski Jump Assy</b>			
SCALE: 1:25	SHEET# A	PROJ#	SIZE
DATE: 9/8/2008	REVISION:	DATE:	A1
DRN BY RBB	SIG	CHKD BY	SIG



ZONE	REV	DESCRIPTION	DATE	CHECKED

MATERIAL: As specified  
 FINISH: Hot Dip Galvanising  
 GENERAL TOLERANCE: ±2.0  
 NOTES:

			<b>HEIRISSON ISLAND          TOURNAMENT WATER SKI CLUB</b> <b>Main Deck Support</b>		
SCALE: 1:25 unless specified	PROJ# Ski Jump	SIZE			
DATE: 14/9/2008	REVISION:	DATE:			
DRN BY RBB	SIG	CHKD BY			



8 7 6 5 4 3 2 1

H G F E D C B A

SECTION B-B  
DETAIL OF APRON HINGE BRACKET, TYP.  
Matli 10mm MS Plate.  
Scale 1:5

SECTION A-A

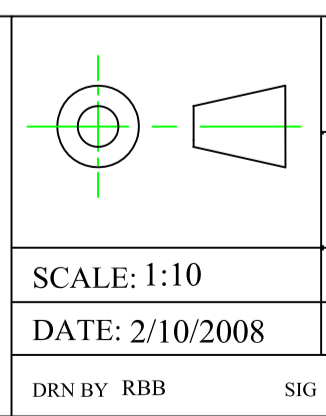
DETAIL 'A'  
Detail of bolt hole pattern for stiffener plate.  
Scale 1:10

DETAIL 'B'  
Detail of bolt hole pattern for stiffener plate.  
Scale 1:10

- NOTES
- △ Hot Rolled Parallel Flange Steel Channel 125mm x 65mm
  - △ Hot Rolled Parallel Flange Steel Channel 75mm x 40mm
  - △ Dress all welds flat with this face.

ZONE	REV	DESCRIPTION	DATE	CHECKED

MATERIAL: As specified  
FINISH: Hot Dip Galvanising  
GENERAL TOLERANCE: ±1

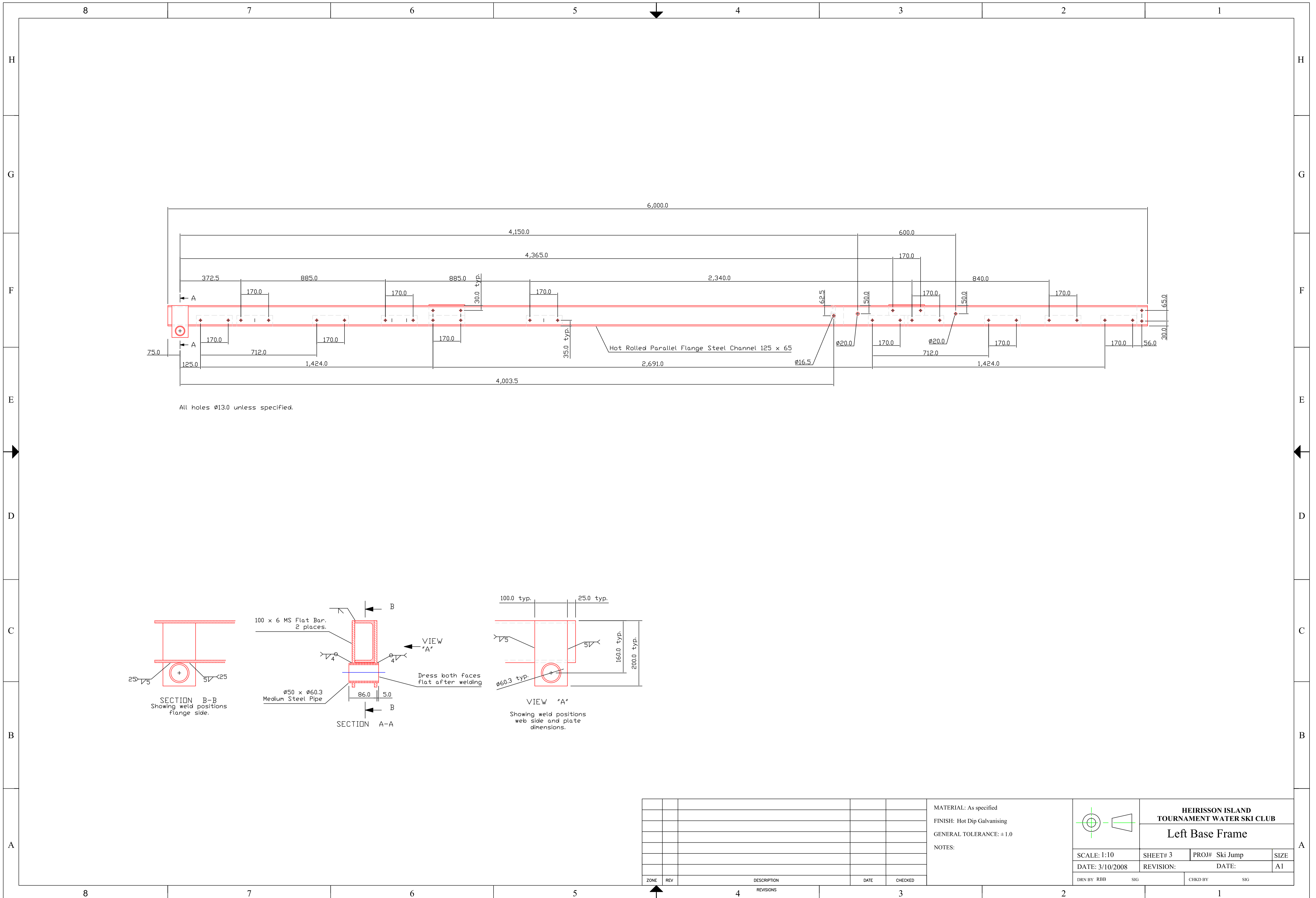


**HEIRISSON ISLAND  
TOURNAMENT WATER SKI CLUB**

**Rear Deck Support**

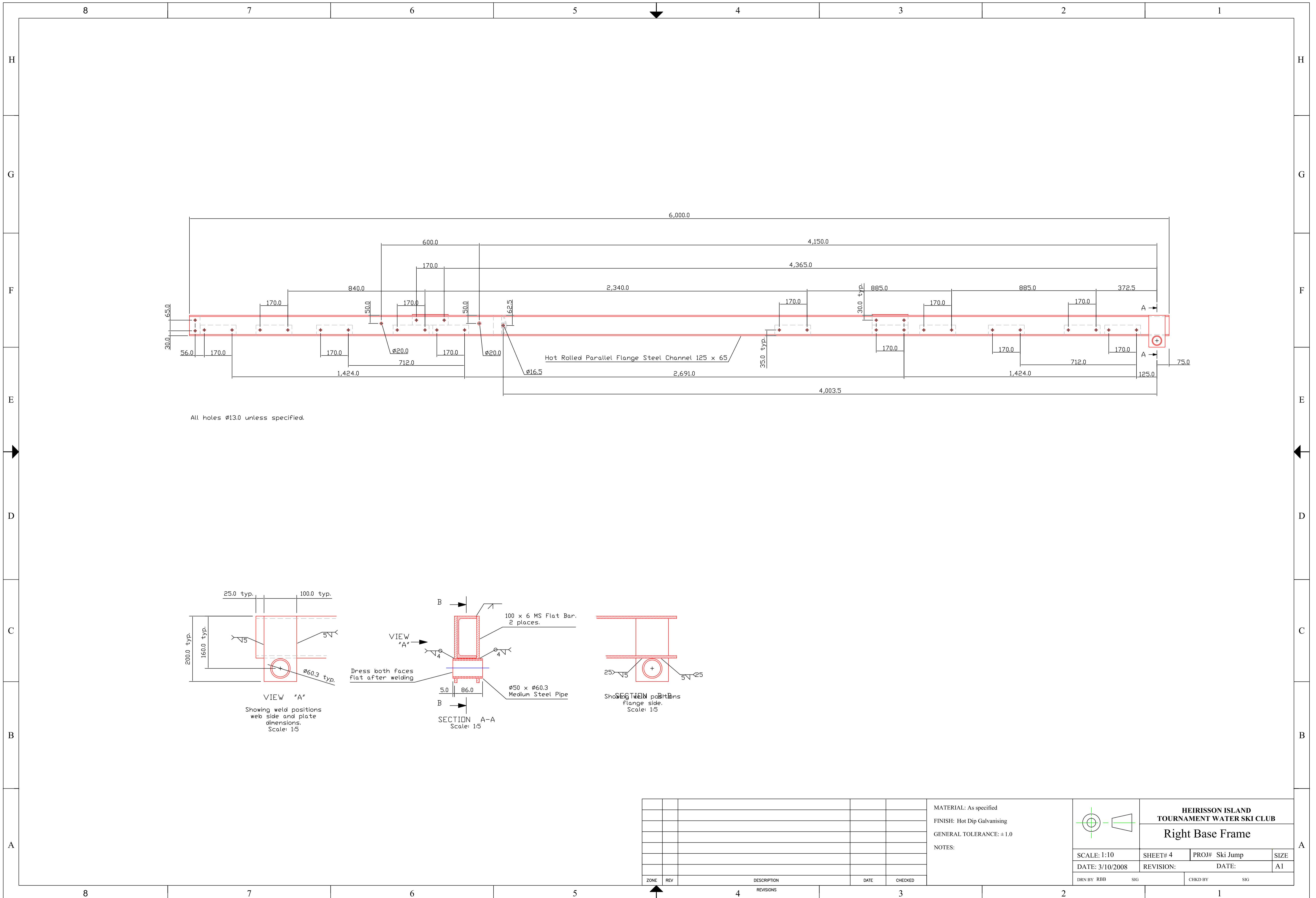
SCALE: 1:10	SHEET# 2	PRO# Ski Jump	SIZE
DATE: 2/10/2008	REVISION:	DATE:	A1
DRN BY RBB	SIG	CHKD BY	SIG

8 7 6 5 4 3 2 1

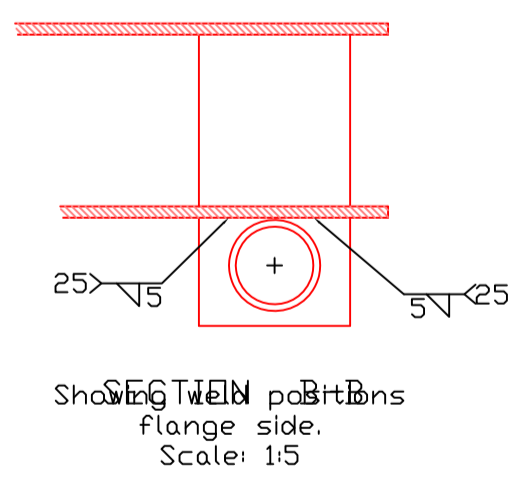
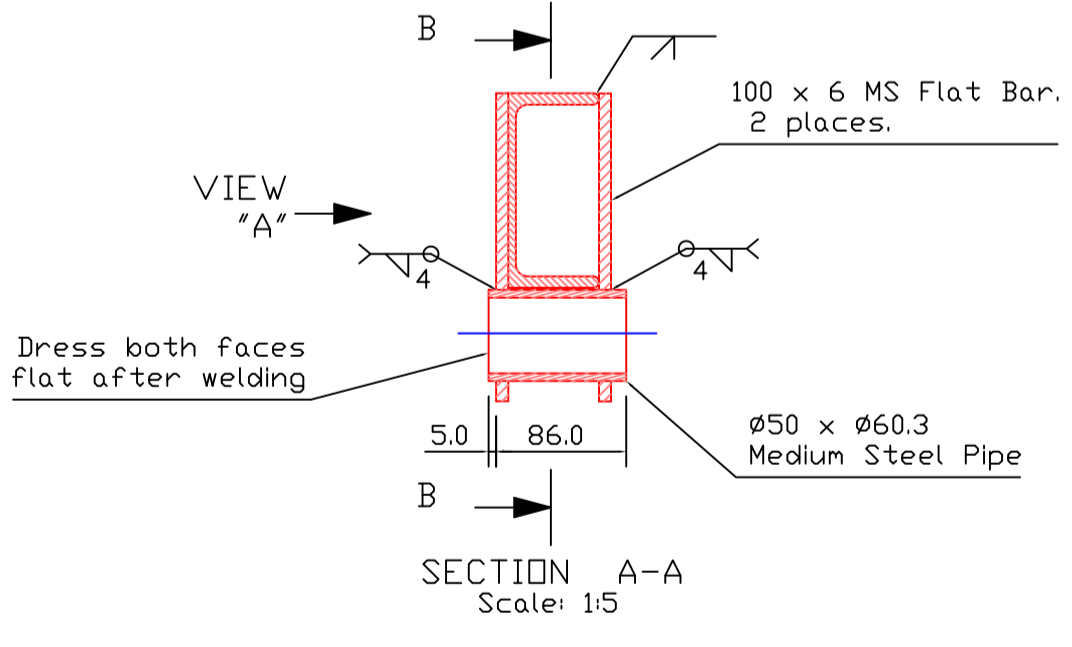
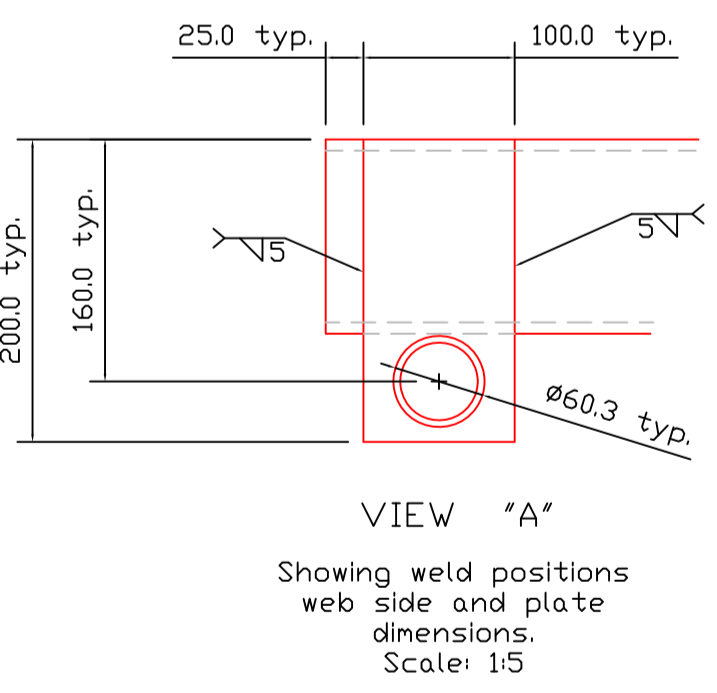


**HEIRISSON ISLAND  
TOURNAMENT WATER SKI CLUB**

**Left Base Frame**



All holes ø13.0 unless specified.

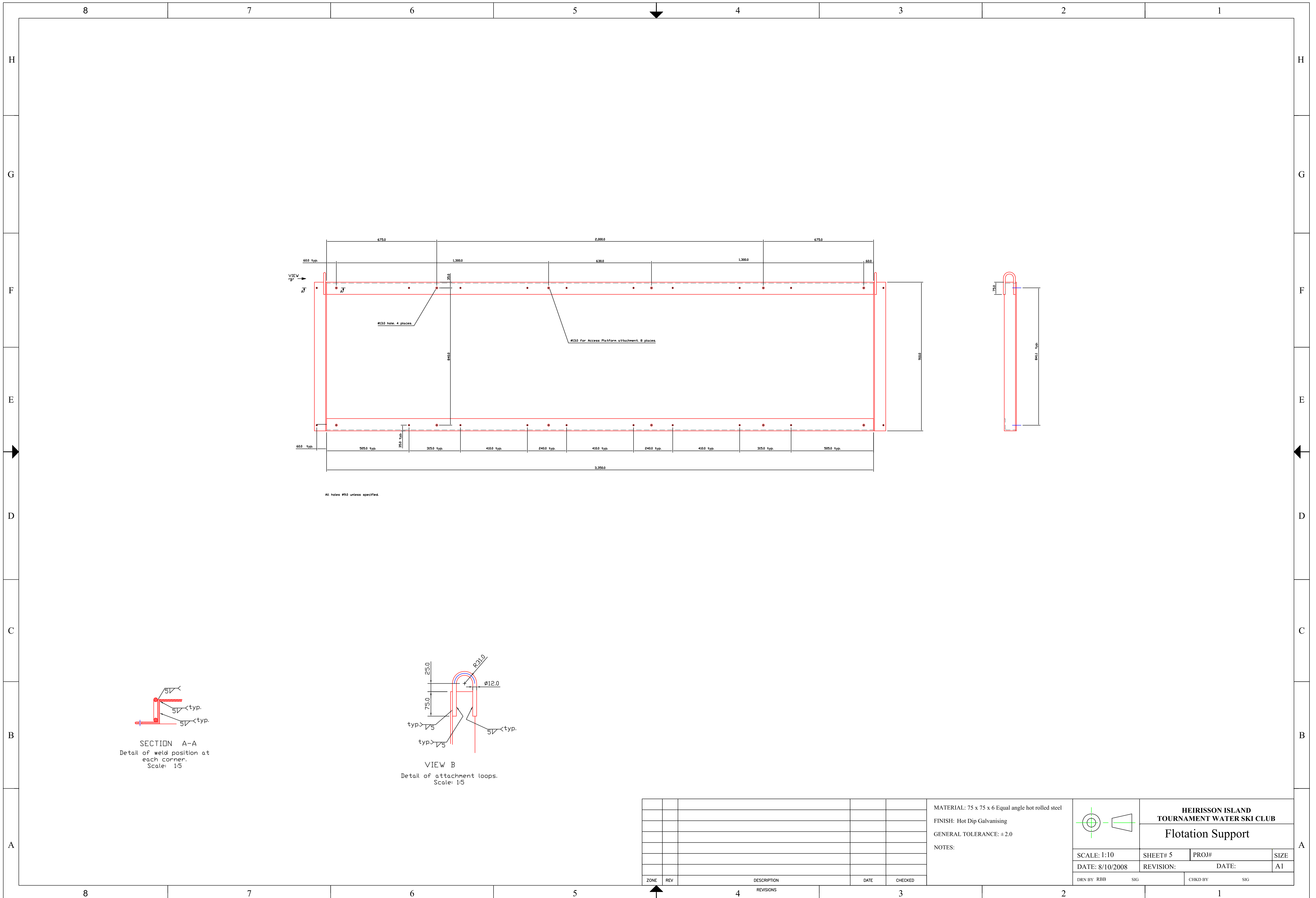


ZONE	REV	DESCRIPTION	DATE	CHECKED

MATERIAL: As specified  
 FINISH: Hot Dip Galvanising  
 GENERAL TOLERANCE: ± 1.0  
 NOTES:

				<b>HEIRISSON ISLAND          TOURNAMENT WATER SKI CLUB</b>				
<b>Right Base Frame</b>				SHEET# 4		PRO# Ski Jump		SIZE
SCALE: 1:10		REVISION:		DATE:		A1		
DRN BY RBB	SIG	CHKD BY	SIG	DATE:	DATE:	DATE:	DATE:	



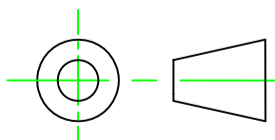


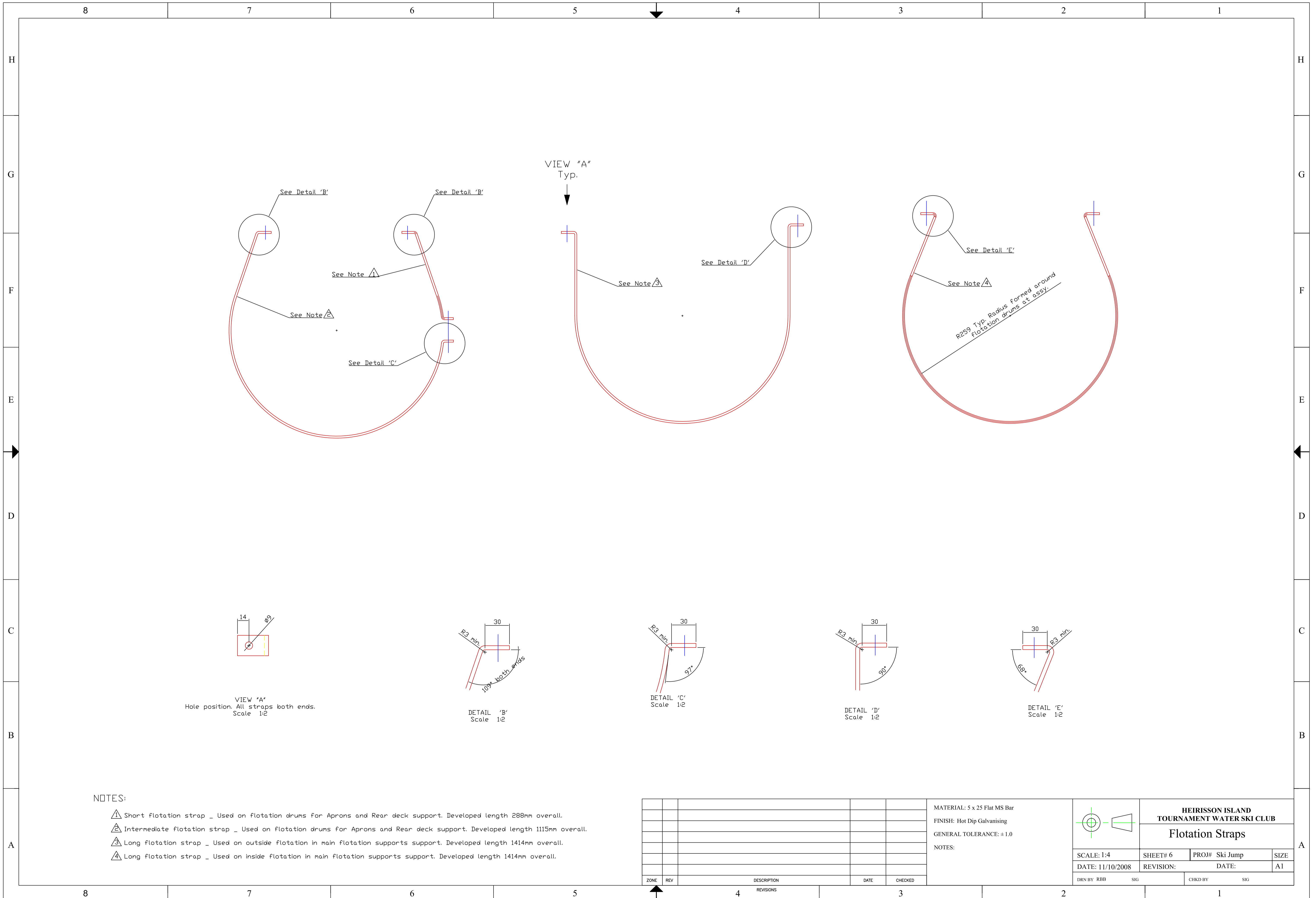
SECTION A-A  
Detail of weld position at each corner.  
Scale: 1:5

VIEW B  
Detail of attachment loops.  
Scale: 1:5

ZONE	REV	DESCRIPTION	DATE	CHECKED

MATERIAL: 75 x 75 x 6 Equal angle hot rolled steel  
 FINISH: Hot Dip Galvanising  
 GENERAL TOLERANCE: ±2.0  
 NOTES:

				<b>HEIRISSON ISLAND TOURNAMENT WATER SKI CLUB</b>							
<b>Flotation Support</b>				SCALE: 1:10		SHEET# 5		PROJ#		SIZE	
DATE: 8/10/2008				REVISION:		DATE:		DATE:		A1	
DRN BY RBB		SIG		CHKD BY		SIG		CHKD BY		SIG	



VIEW "A"  
Hole position. All straps both ends.  
Scale 1:2

DETAIL "B"  
Scale 1:2

DETAIL "C"  
Scale 1:2

DETAIL "D"  
Scale 1:2

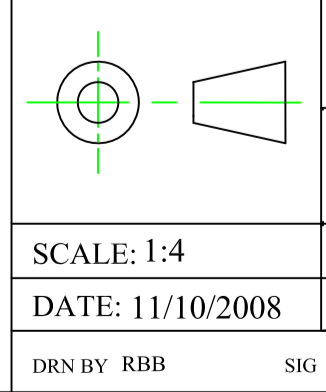
DETAIL "E"  
Scale 1:2

NOTES:

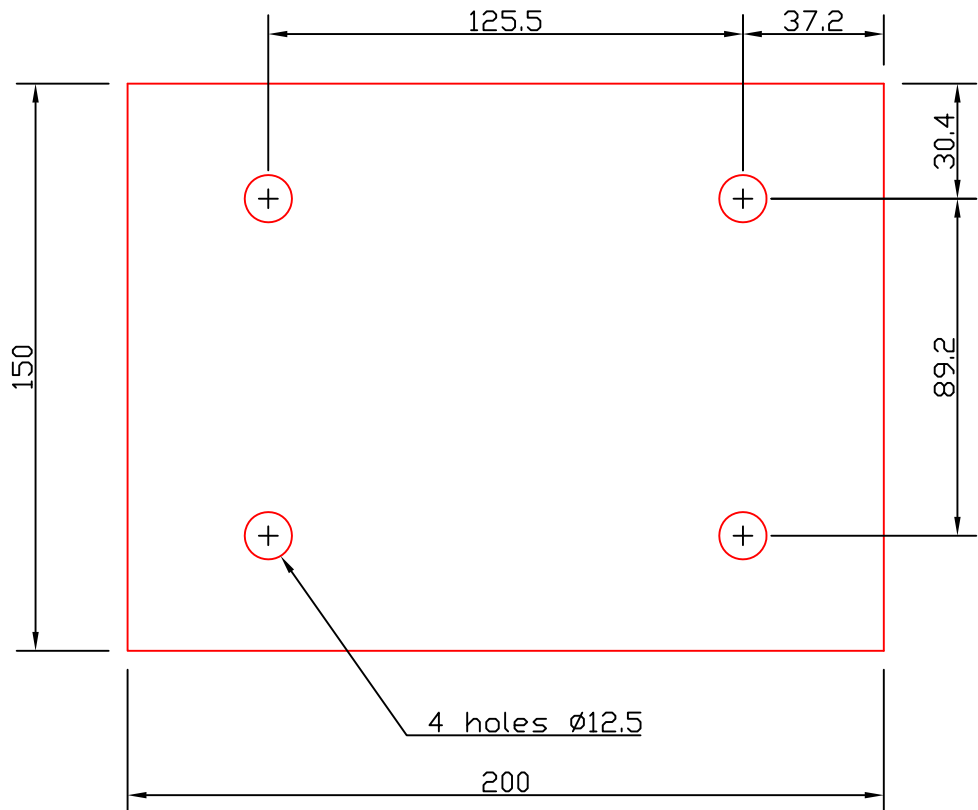
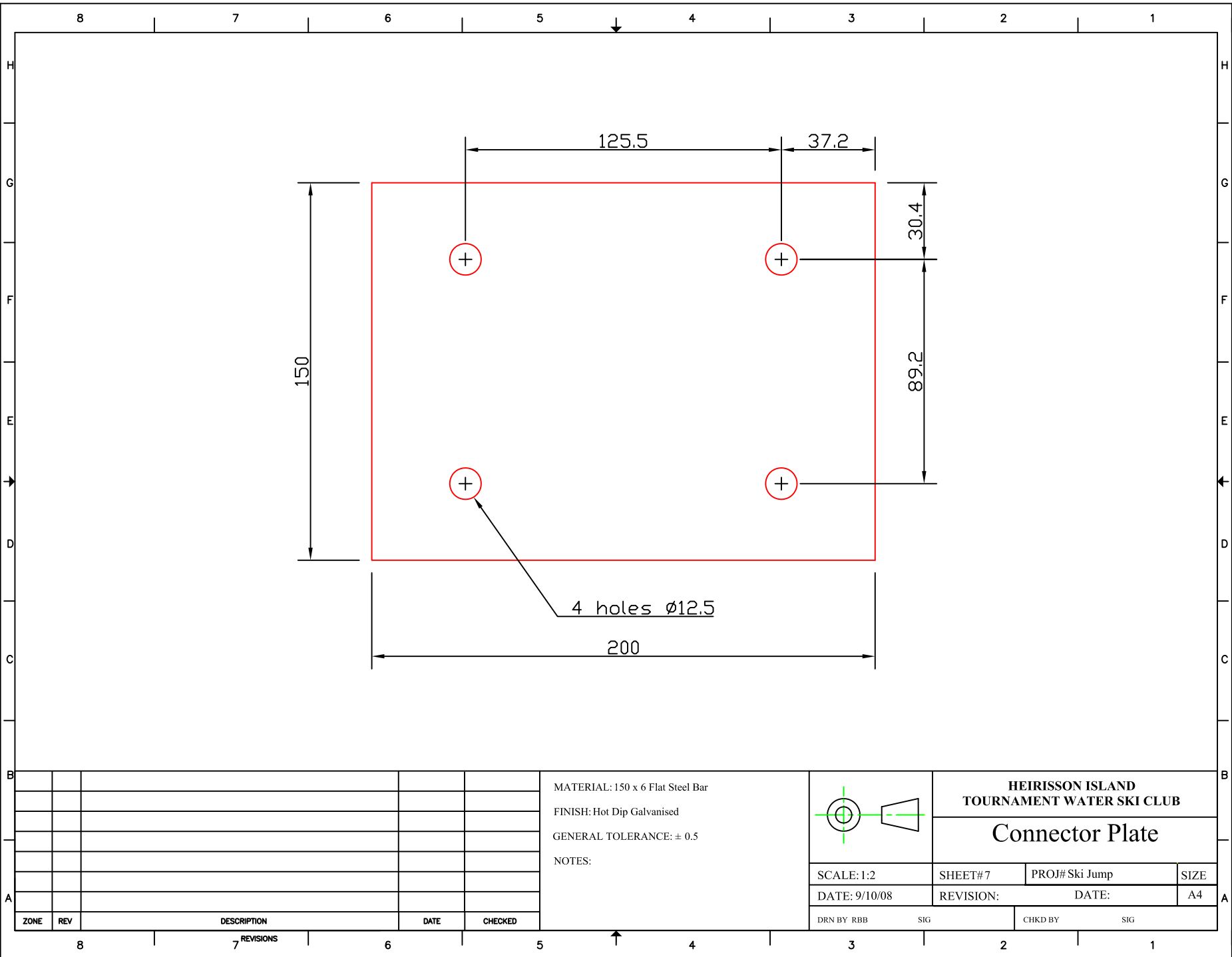
- △ Short flotation strap \_ Used on flotation drums for Aprons and Rear deck support. Developed length 288mm overall.
- △ Intermediate flotation strap \_ Used on flotation drums for Aprons and Rear deck support. Developed length 1115mm overall.
- △ Long flotation strap \_ Used on outside flotation in main flotation supports support. Developed length 1414mm overall.
- △ Long flotation strap \_ Used on inside flotation in main flotation supports support. Developed length 1414mm overall.

ZONE	REV	DESCRIPTION	DATE	CHECKED

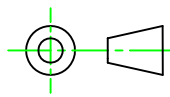
MATERIAL: 5 x 25 Flat MS Bar  
 FINISH: Hot Dip Galvanising  
 GENERAL TOLERANCE: ± 1.0



<b>HEIRISSON ISLAND TOURNAMENT WATER SKI CLUB</b>			
<b>Flotation Straps</b>			
SCALE: 1:4	SHEET# 6	PROJ# Ski Jump	SIZE
DATE: 11/10/2008	REVISION:	DATE:	A1
DRN BY RBB	SIG	CHKD BY	SIG



MATERIAL: 150 x 6 Flat Steel Bar  
 FINISH: Hot Dip Galvanised  
 GENERAL TOLERANCE: ± 0.5  
 NOTES:



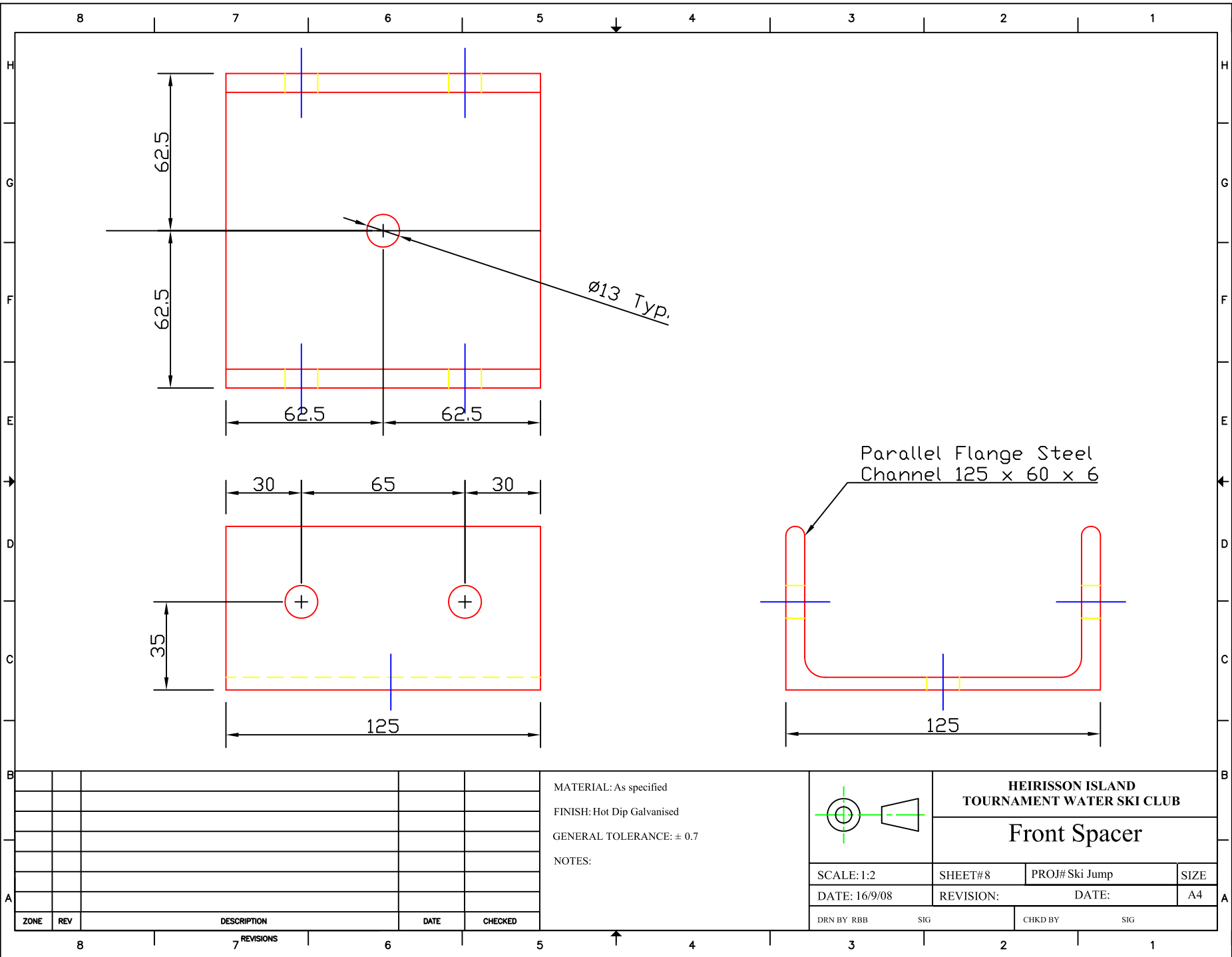
**HEIRISSON ISLAND  
 TOURNAMENT WATER SKI CLUB**

**Connector Plate**

SCALE: 1:2	SHEET# 7	PROJ# Ski Jump	SIZE
DATE: 9/10/08	REVISION:	DATE:	A4
DRN BY RBB	SIG	CHKD BY	SIG

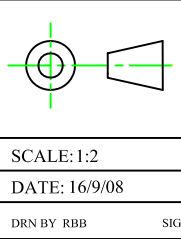
ZONE	REV	DESCRIPTION	DATE	CHECKED

7 REVISIONS



ZONE	REV	DESCRIPTION	DATE	CHECKED

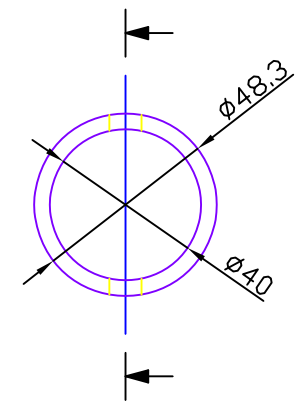
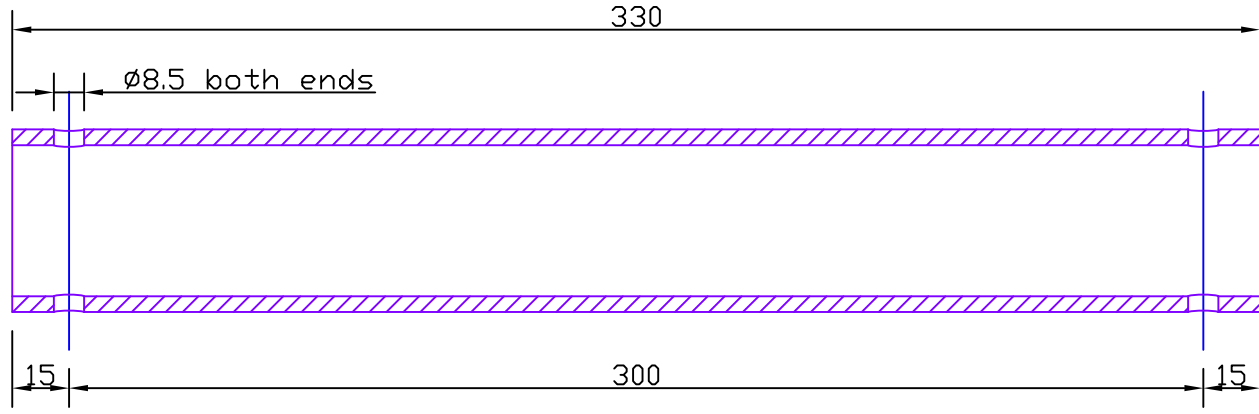
MATERIAL: As specified  
 FINISH: Hot Dip Galvanised  
 GENERAL TOLERANCE: ± 0.7  
 NOTES:



**HEIRISSON ISLAND  
TOURNAMENT WATER SKI CLUB**

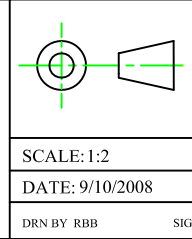
**Front Spacer**

SCALE: 1:2	SHEET#8	PROJ# Ski Jump	SIZE
DATE: 16/9/08	REVISION:	DATE:	A4
DRN BY RBB	SIG	CHKD BY	SIG



ZONE	REV	DESCRIPTION	DATE	CHECKED

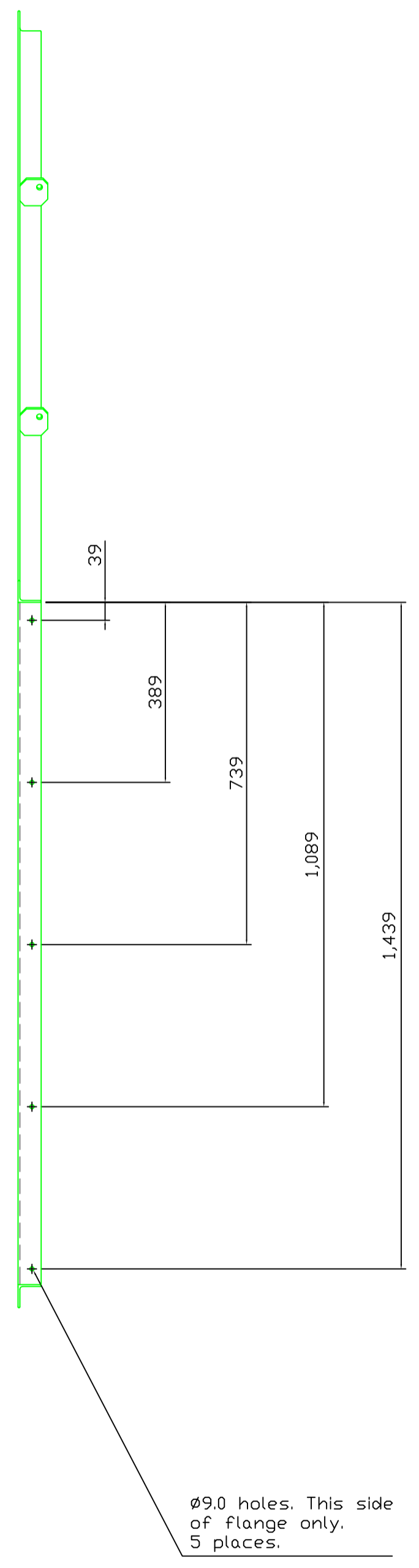
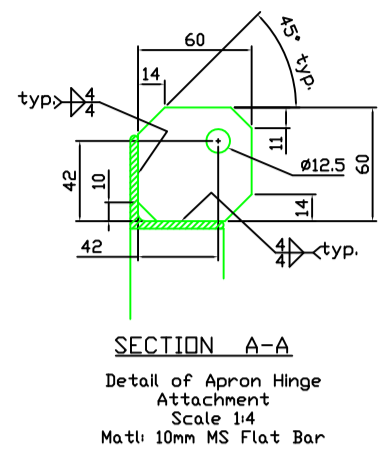
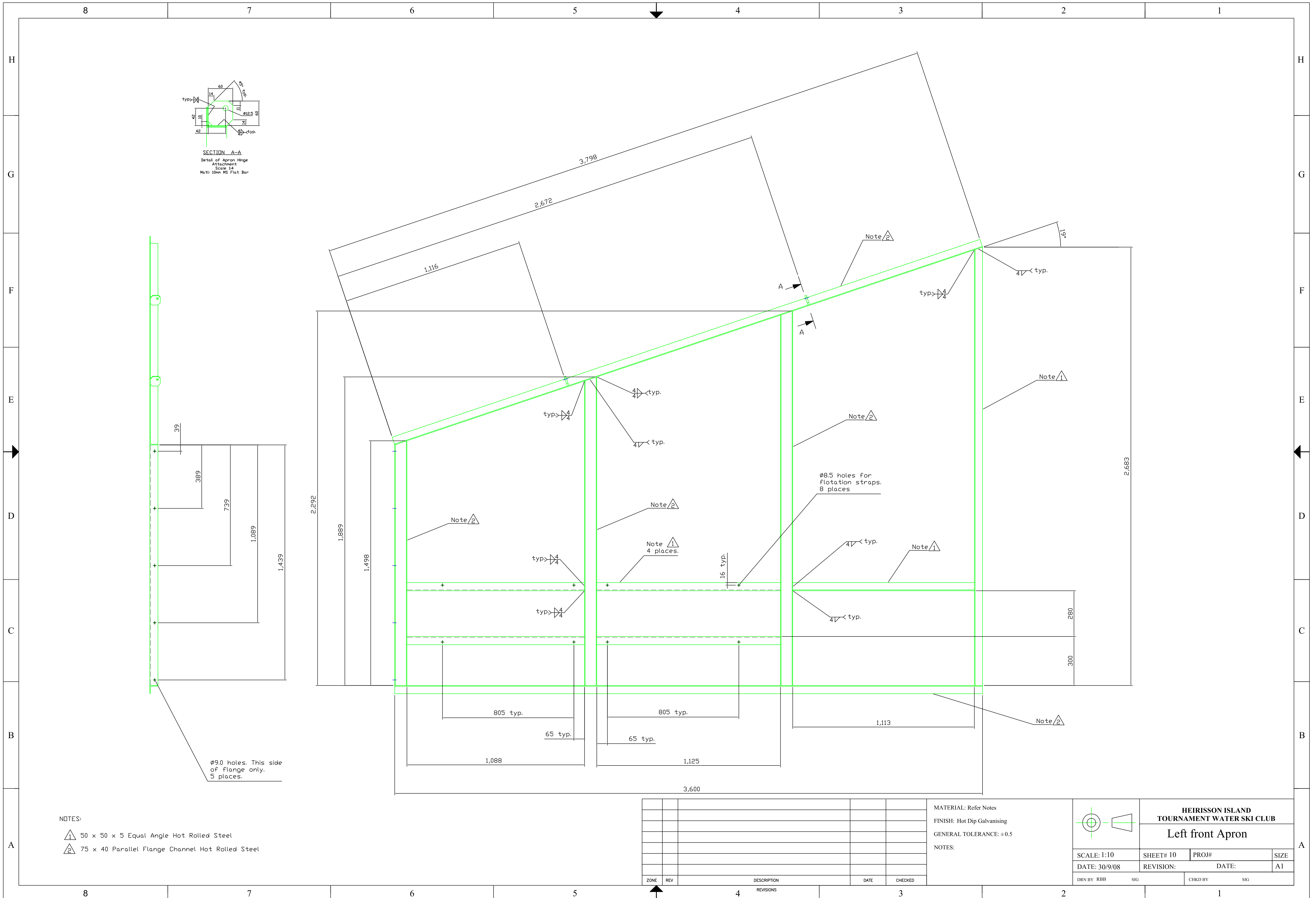
MATERIAL: 40 dia. medium steel tube  
 FINISH: Hot Dip Galvanised  
 GENERAL TOLERANCE:  $\pm 1.0$   
 NOTES:



**HEIRISSON ISLAND  
TOURNAMENT WATER SKI CLUB**

**Pivot pin**

SCALE: 1:2	SHEET#9	PROJ# Ski Jump	SIZE
DATE: 9/10/2008	REVISION:	DATE:	A4
DRN BY RBB	SIG	CHKD BY	SIG



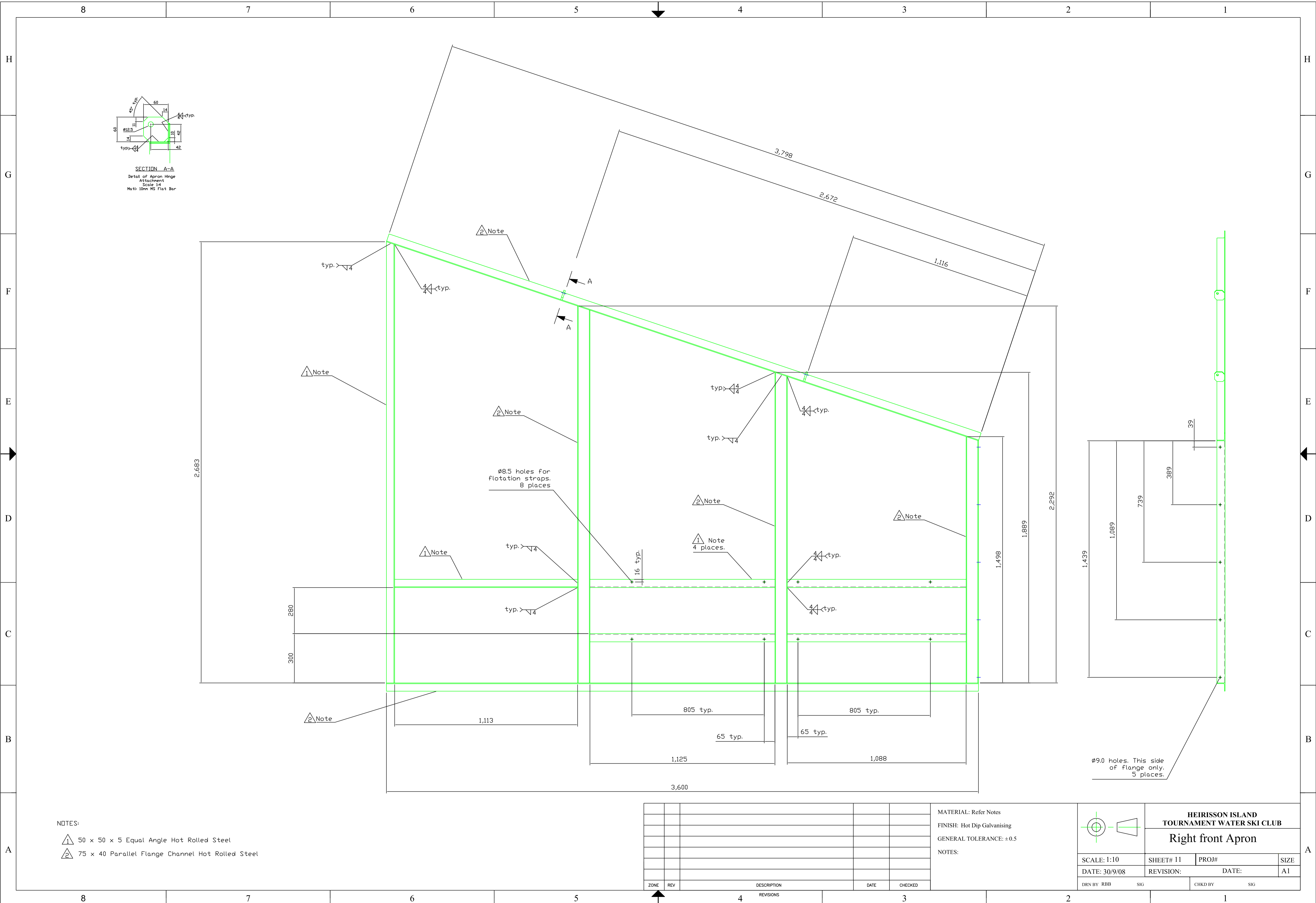
- NOTES:
- △ 50 x 50 x 5 Equal Angle Hot Rolled Steel
  - △ 75 x 40 Parallel Flange Channel Hot Rolled Steel

ZONE	REV	DESCRIPTION	DATE	CHECKED

MATERIAL: Refer Notes  
FINISH: Hot Dip Galvanising  
GENERAL TOLERANCE: ±0.5

NOTES:

HEIRISSON ISLAND TOURNAMENT WATER SKI CLUB			
Left front Apron			
SCALE: 1:10	SHEET# 10	PROJ#	SIZE
DATE: 30/9/08	REVISION:	DATE:	A1
DRN BY: RBB	SIG	CHKD BY:	SIG

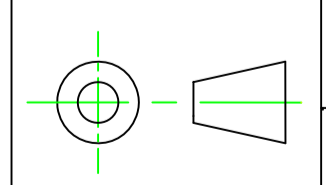


**SECTION A-A**  
Detail of Apron Hinge Attachment  
Scale 1/4  
Note: 10mm MS Flat Bar

- NOTES:
- △ 50 x 50 x 5 Equal Angle Hot Rolled Steel
  - △ 75 x 40 Parallel Flange Channel Hot Rolled Steel

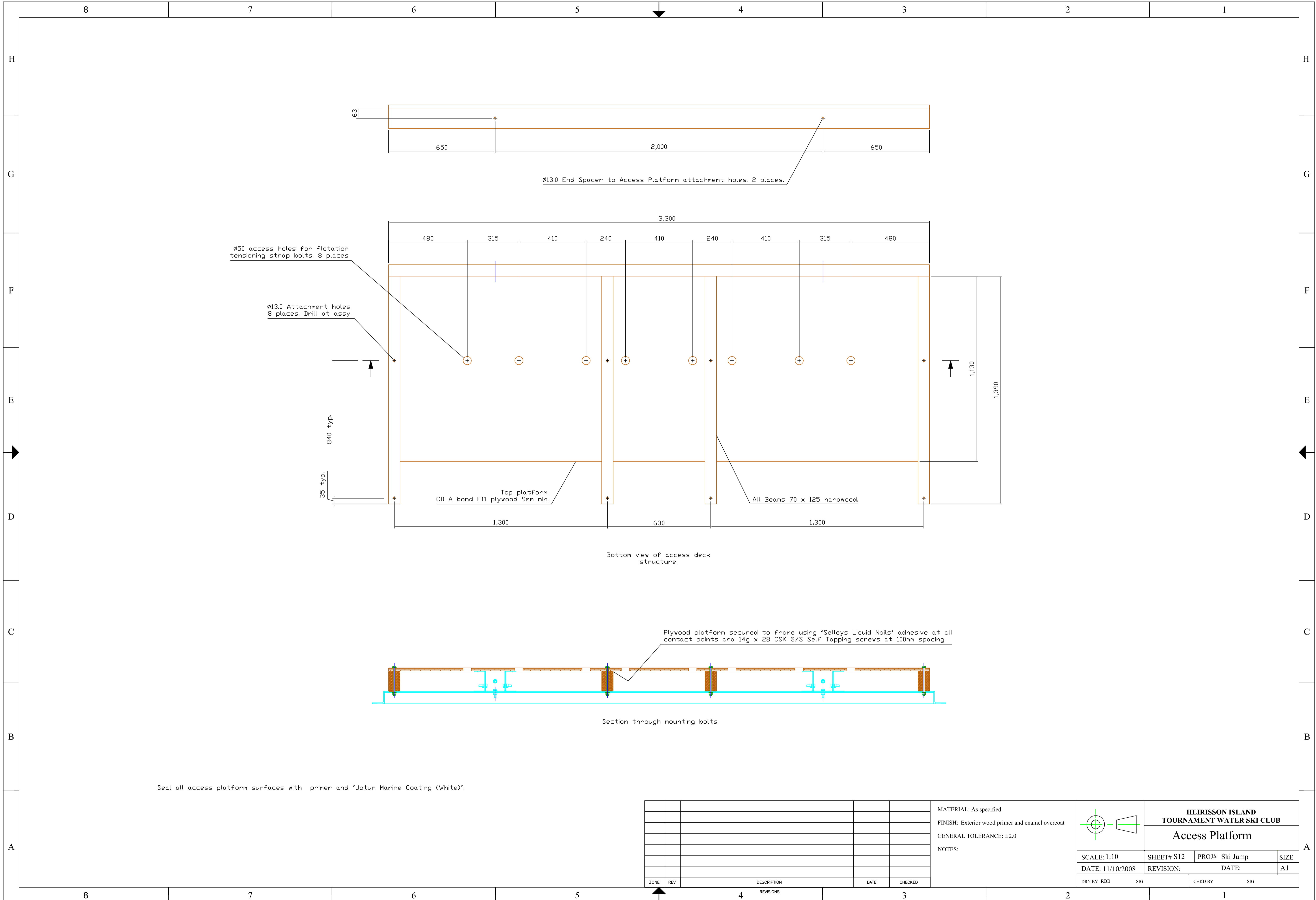
ZONE	REV	DESCRIPTION	DATE	CHECKED

MATERIAL: Refer Notes  
FINISH: Hot Dip Galvanising  
GENERAL TOLERANCE: ±0.5



**HEIRISSON ISLAND TOURNAMENT WATER SKI CLUB**  
**Right front Apron**

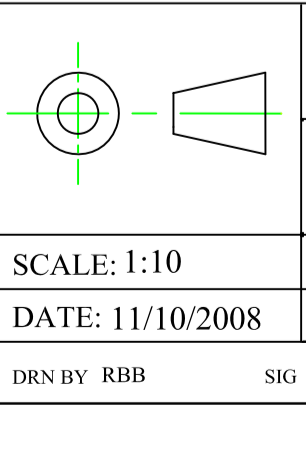
SCALE: 1:10	SHEET# 11	PROJ#	SIZE
DATE: 30/9/08	REVISION:	DATE:	A1
DRN BY RBB	SIG	CHKD BY	SIG



ZONE	REV	DESCRIPTION	DATE	CHECKED

MATERIAL: As specified  
 FINISH: Exterior wood primer and enamel overcoat  
 GENERAL TOLERANCE: ±2.0

NOTES:

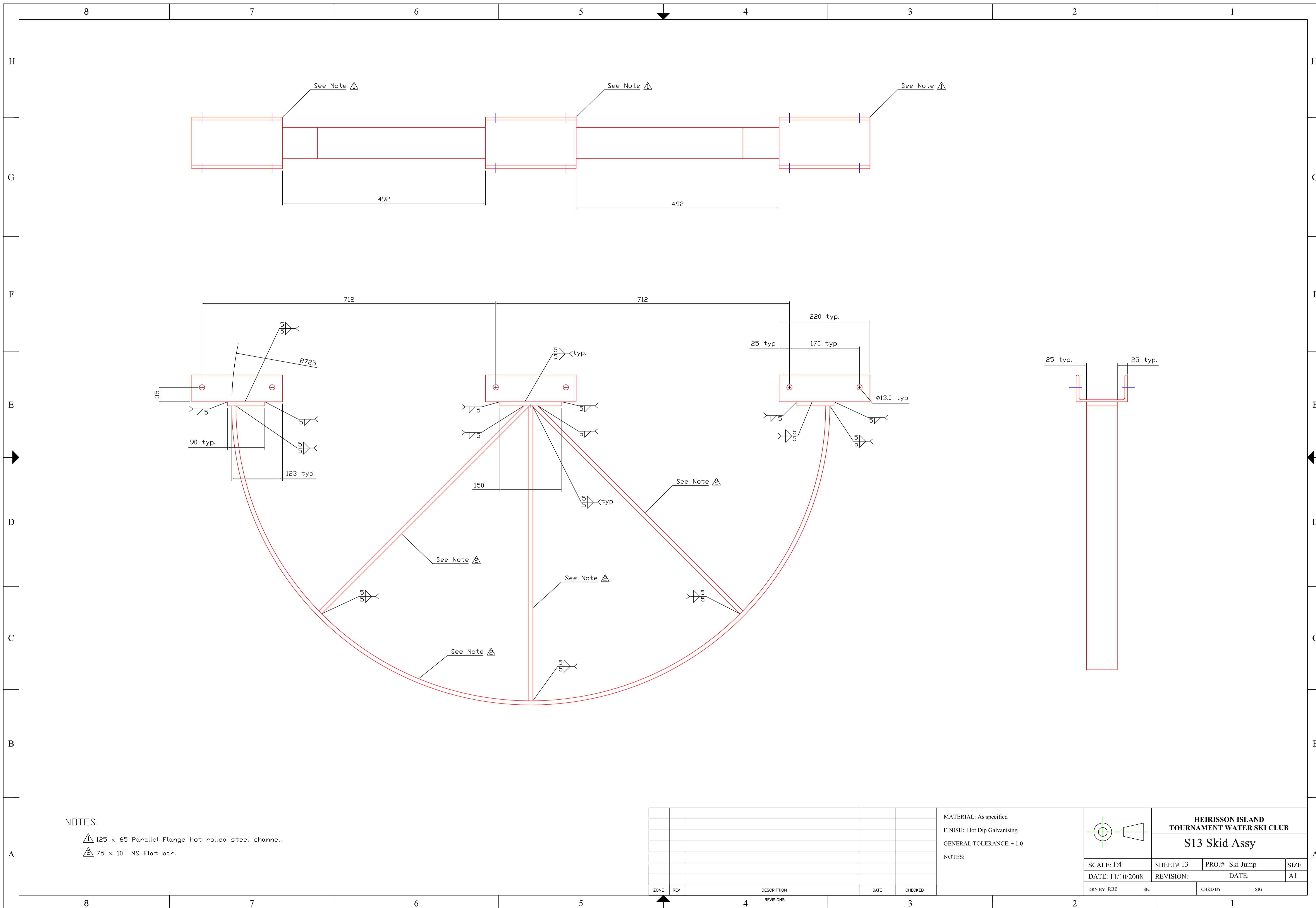


**HEIRISSON ISLAND  
TOURNAMENT WATER SKI CLUB**

**Access Platform**

SCALE: 1:10	SHEET# S12	PRO# Ski Jump	SIZE
DATE: 11/10/2008	REVISION:	DATE:	A1
DRN BY RBB	SIG	CHKD BY	SIG



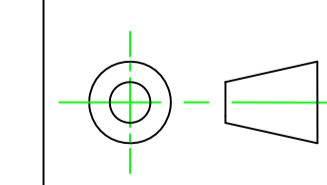


NOTES:

- △ 125 x 65 Parallel Flange hot rolled steel channel.
- △ 75 x 10 MS Flat bar.

MATERIAL: As specified  
 FINISH: Hot Dip Galvanising  
 GENERAL TOLERANCE: ± 1.0

NOTES:

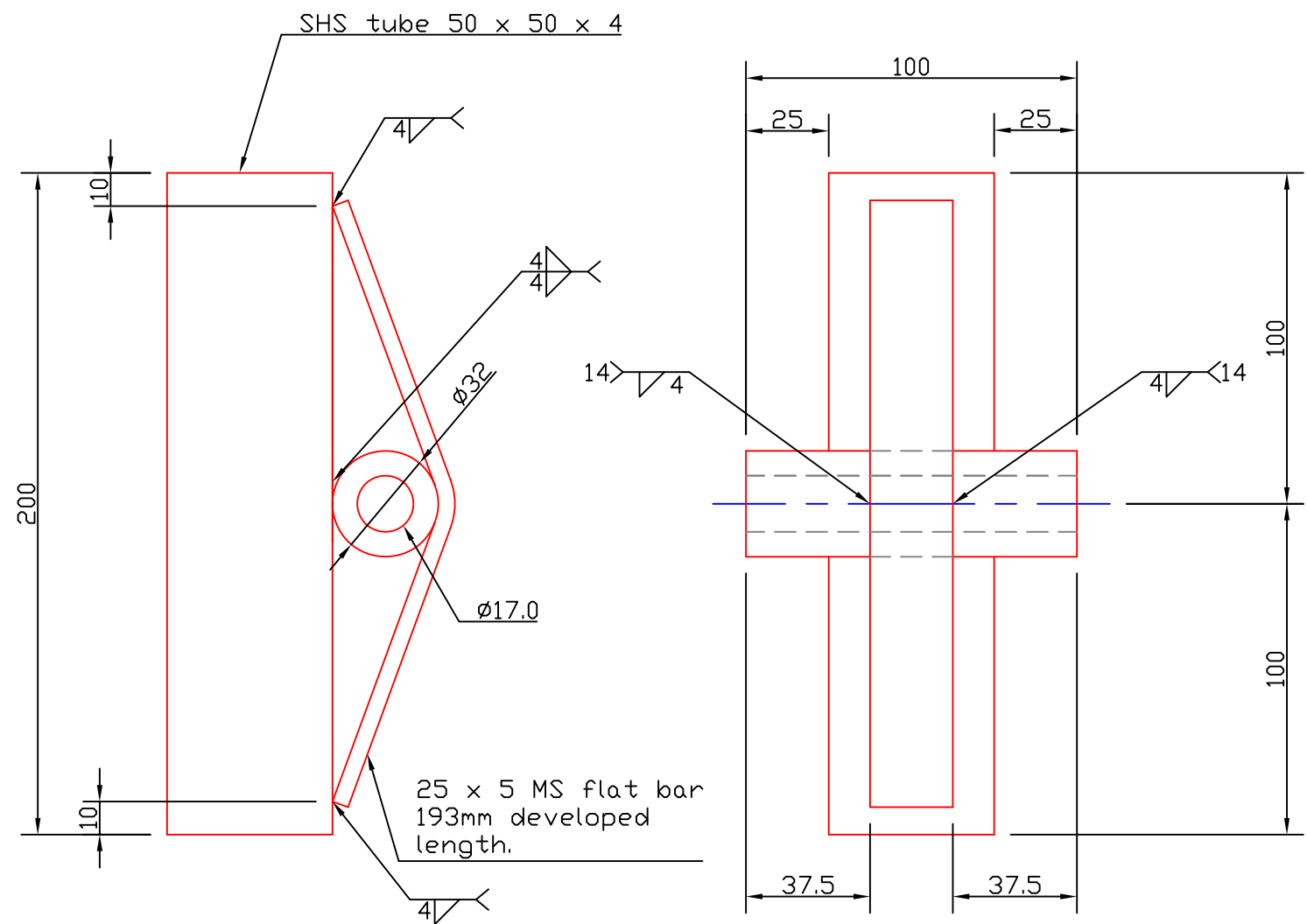


**HEIRISSON ISLAND  
 TOURNAMENT WATER SKI CLUB**  
**S13 Skid Assy**

SCALE: 1:4	SHEET# 13	PRO# Ski Jump	SIZE
DATE: 11/10/2008	REVISION:	DATE:	A1
DRN BY RBB	SIG	CHKD BY	SIG

ZONE	REV	DESCRIPTION	DATE	CHECKED

REVISIONS

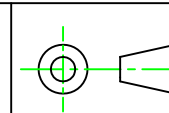


**NOTES:**

Dress interior bore of square tube before galvanising to remove any weld penetration.  
 Ensure support strut is a loose fit (2mm clearance min.) in socket after galvanising.

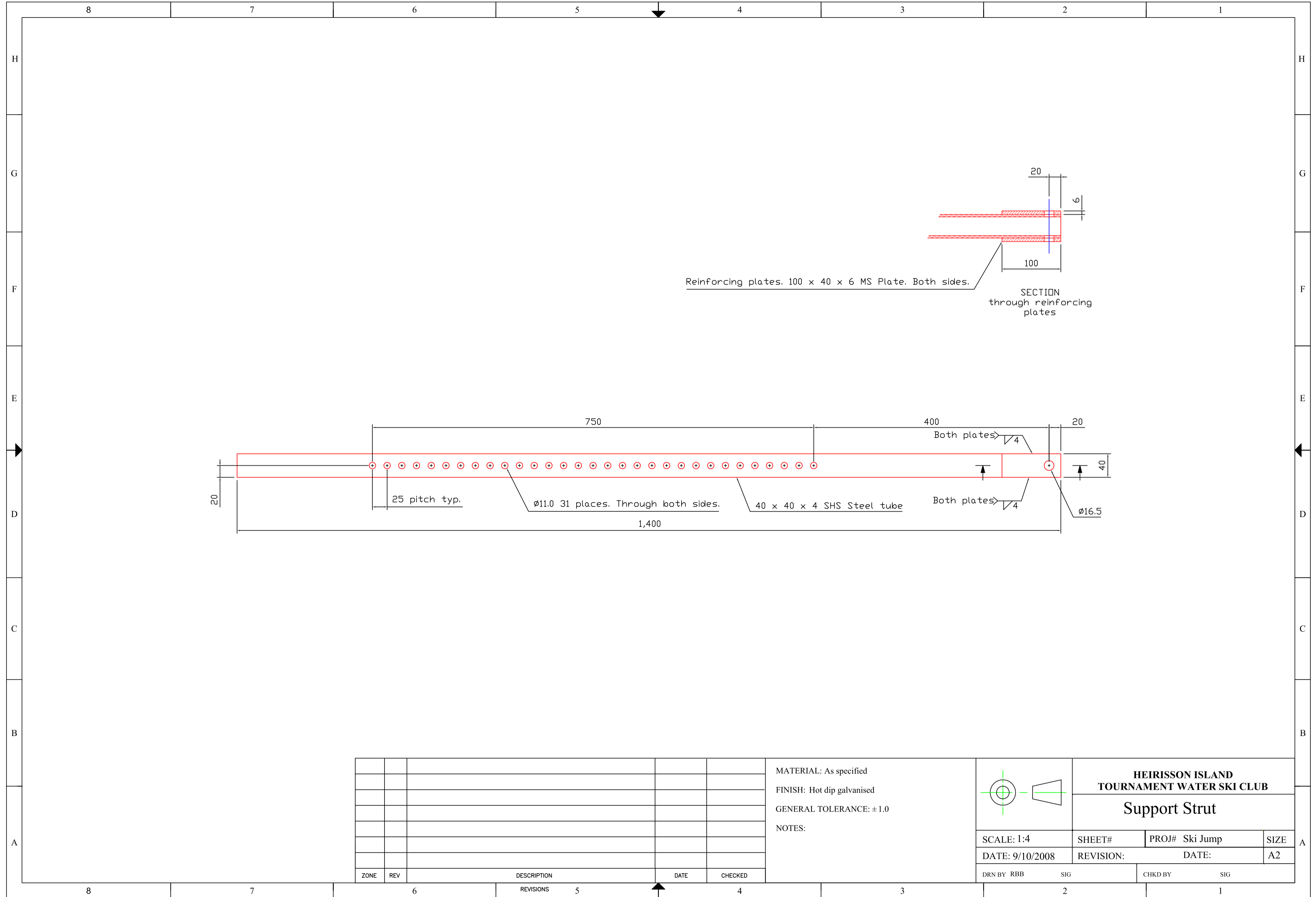
ZONE	REV	DESCRIPTION	DATE	CHECKED

MATERIAL: As specified  
 FINISH: Hot dip galvanised  
 GENERAL TOLERANCE: ± 0.5  
 NOTES:



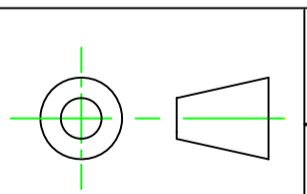
**HEIRISSON ISLAND  
 TOURNAMENT WATER SKI CLUB**  
**Support Strut Socket**

SCALE: 1:2	SHEET# 14	PROJ# Ski Jump	SIZE
DATE: 4/10/2008	REVISION:	DATE:	A3
DRN BY RBB	SIG	CHKD BY	SIG



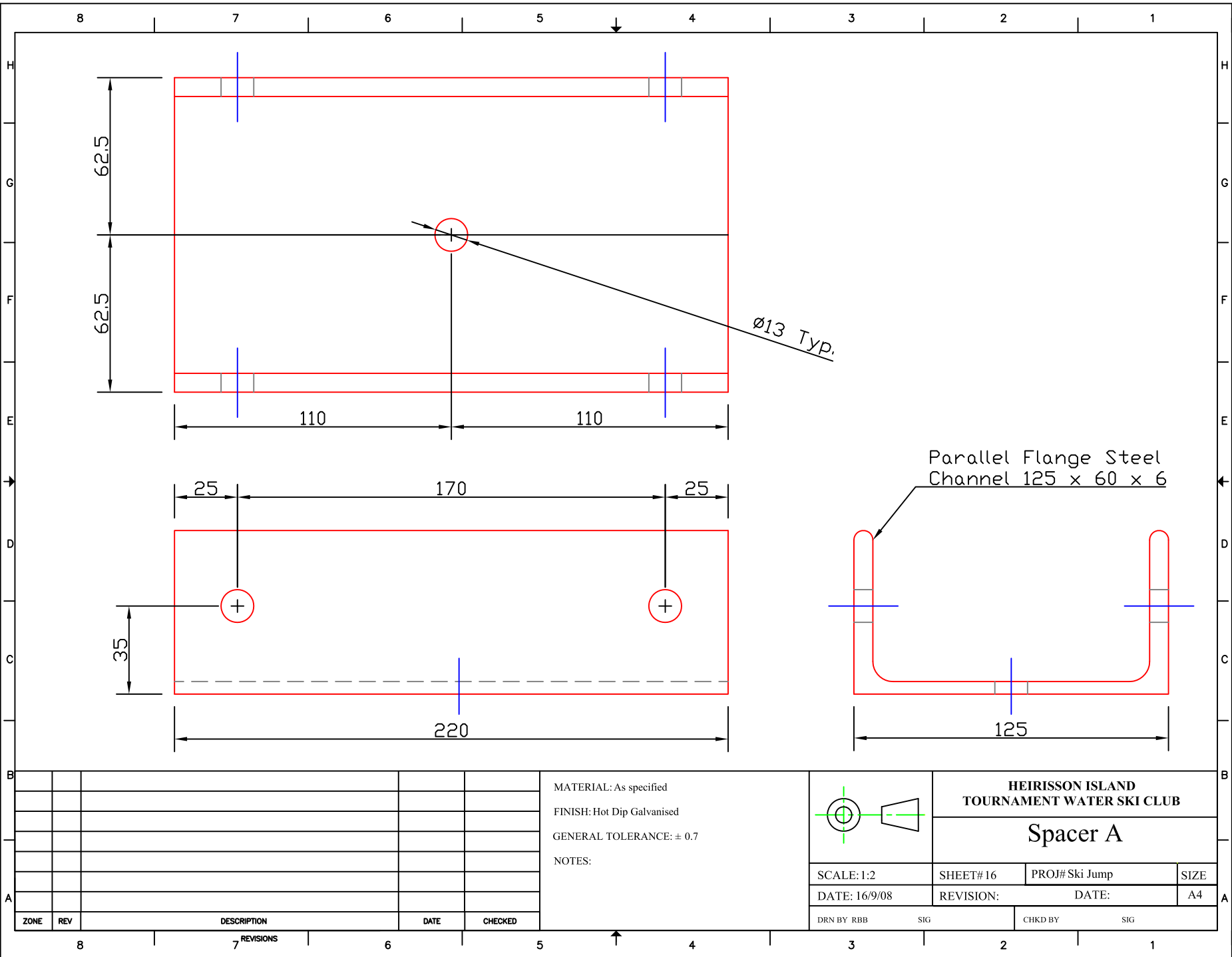
ZONE	REV	DESCRIPTION	DATE	CHECKED

MATERIAL: As specified  
 FINISH: Hot dip galvanised  
 GENERAL TOLERANCE: ±1.0  
 NOTES:



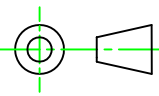
**HEIRISSON ISLAND  
 TOURNAMENT WATER SKI CLUB**  
**Support Strut**

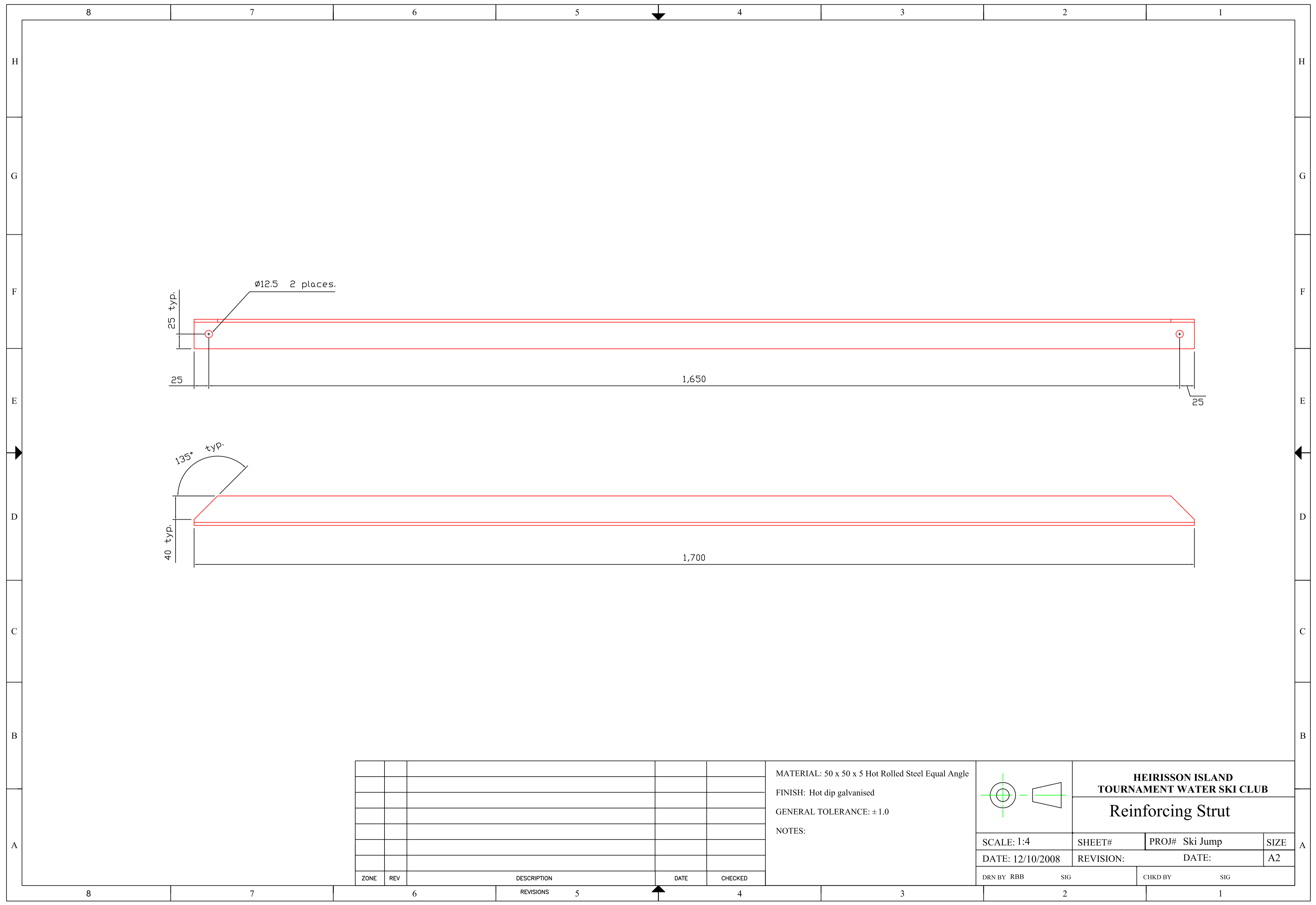
SCALE: 1:4	SHEET#	PROJ# Ski Jump	SIZE
DATE: 9/10/2008	REVISION:	DATE:	A2
DRN BY: RBB	SIG	CHKD BY:	SIG



ZONE	REV	DESCRIPTION	DATE	CHECKED

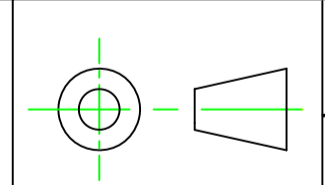
MATERIAL: As specified  
 FINISH: Hot Dip Galvanised  
 GENERAL TOLERANCE:  $\pm 0.7$   
 NOTES:

				<b>HEIRISSON ISLAND          TOURNAMENT WATER SKI CLUB</b>			
<b>Spacer A</b>							
SCALE: 1:2		SHEET# 16		PROJ# Ski Jump		SIZE	
DATE: 16/9/08		REVISION:		DATE:		A4	
DRN BY RBB		SIG		CHKD BY		SIG	



ZONE	REV	DESCRIPTION	DATE	CHECKED

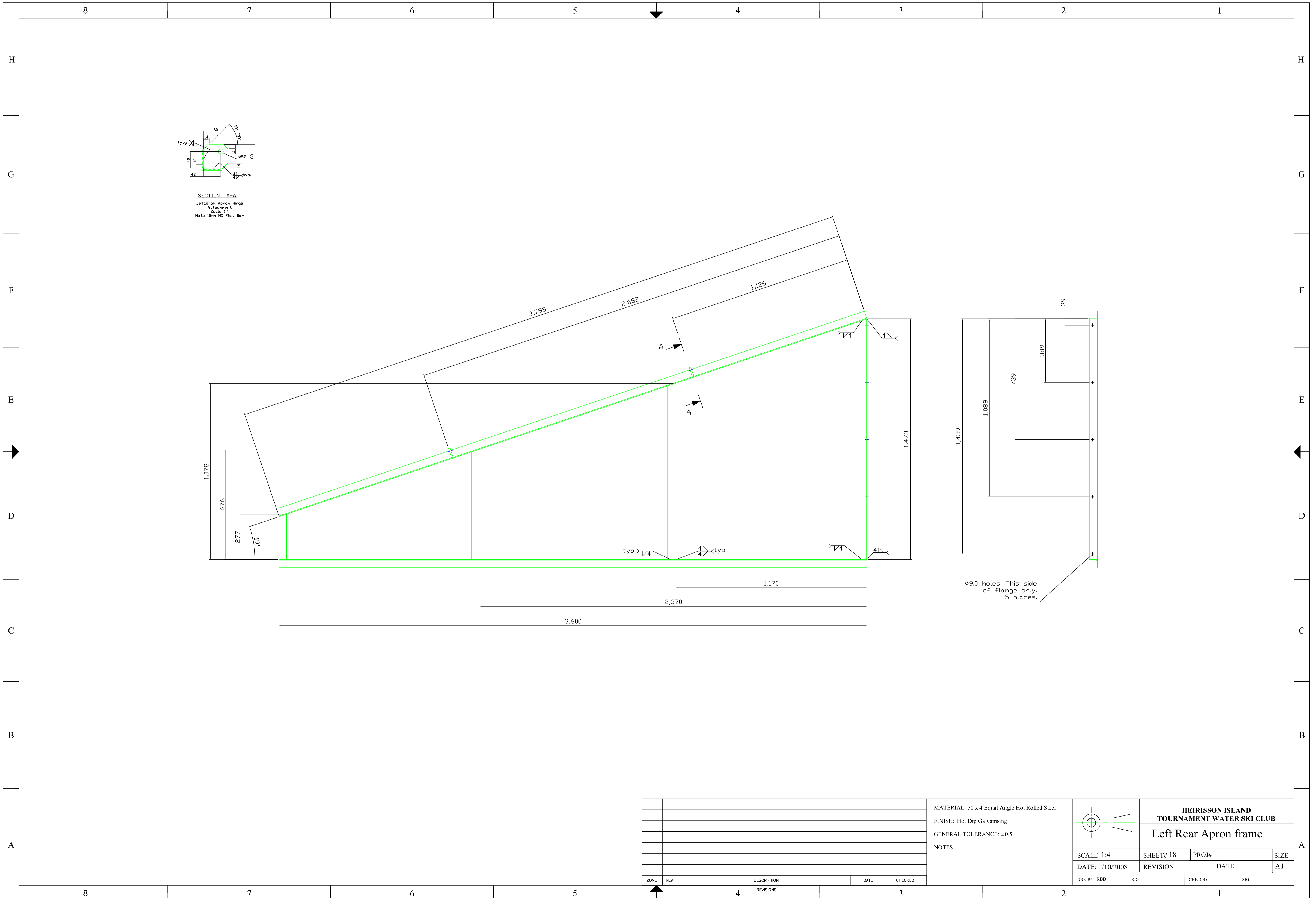
MATERIAL: 50 x 50 x 5 Hot Rolled Steel Equal Angle  
 FINISH: Hot dip galvanised  
 GENERAL TOLERANCE: ±1.0  
 NOTES:



**HEIRISSON ISLAND  
 TOURNAMENT WATER SKI CLUB**

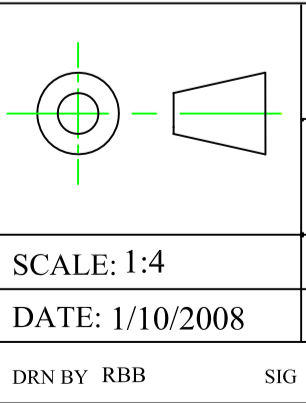
**Reinforcing Strut**

SCALE: 1:4	SHEET#	PROJ# Ski Jump	SIZE
DATE: 12/10/2008	REVISION:	DATE:	A2
DRN BY: RBB	SIG	CHKD BY:	SIG



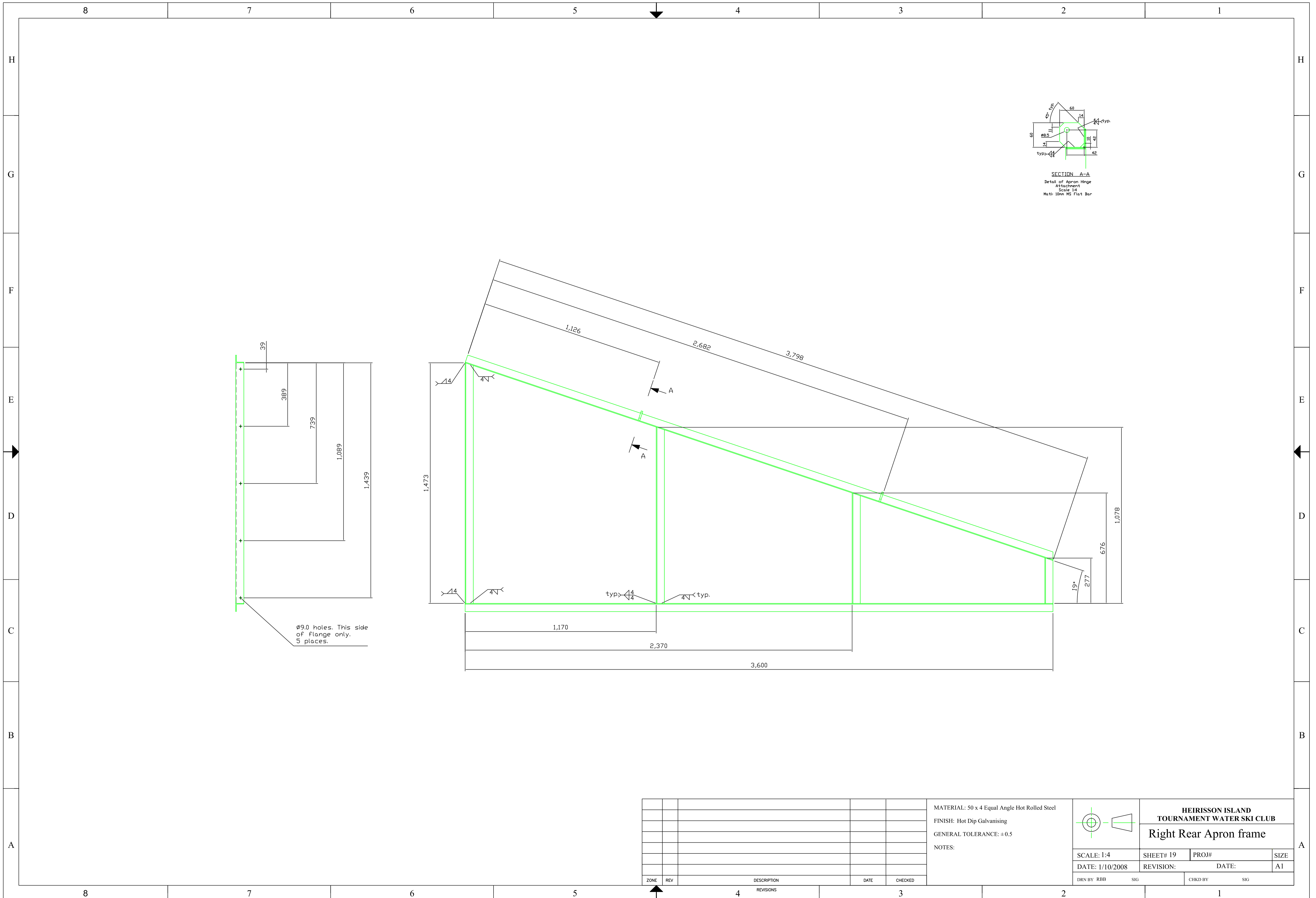
ZONE	REV	DESCRIPTION	DATE	CHECKED

MATERIAL: 50 x 4 Equal Angle Hot Rolled Steel  
 FINISH: Hot Dip Galvanising  
 GENERAL TOLERANCE: ±0.5  
 NOTES:

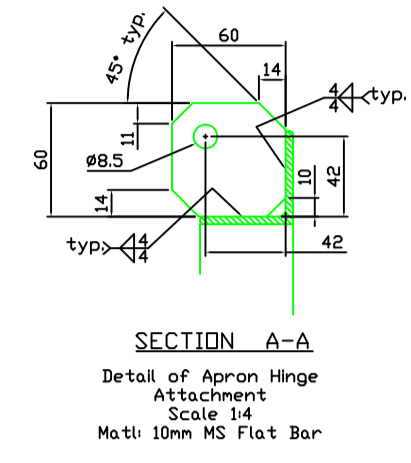


**HEIRISSON ISLAND  
 TOURNAMENT WATER SKI CLUB**  
**Left Rear Apron frame**

SCALE: 1:4	SHEET# 18	PROJ#	SIZE
DATE: 1/10/2008	REVISION:	DATE:	A1
DRN BY RBB	SIG	CHKD BY	SIG

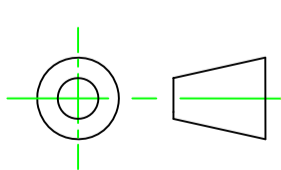


Ø9.0 holes. This side of flange only. 5 places.



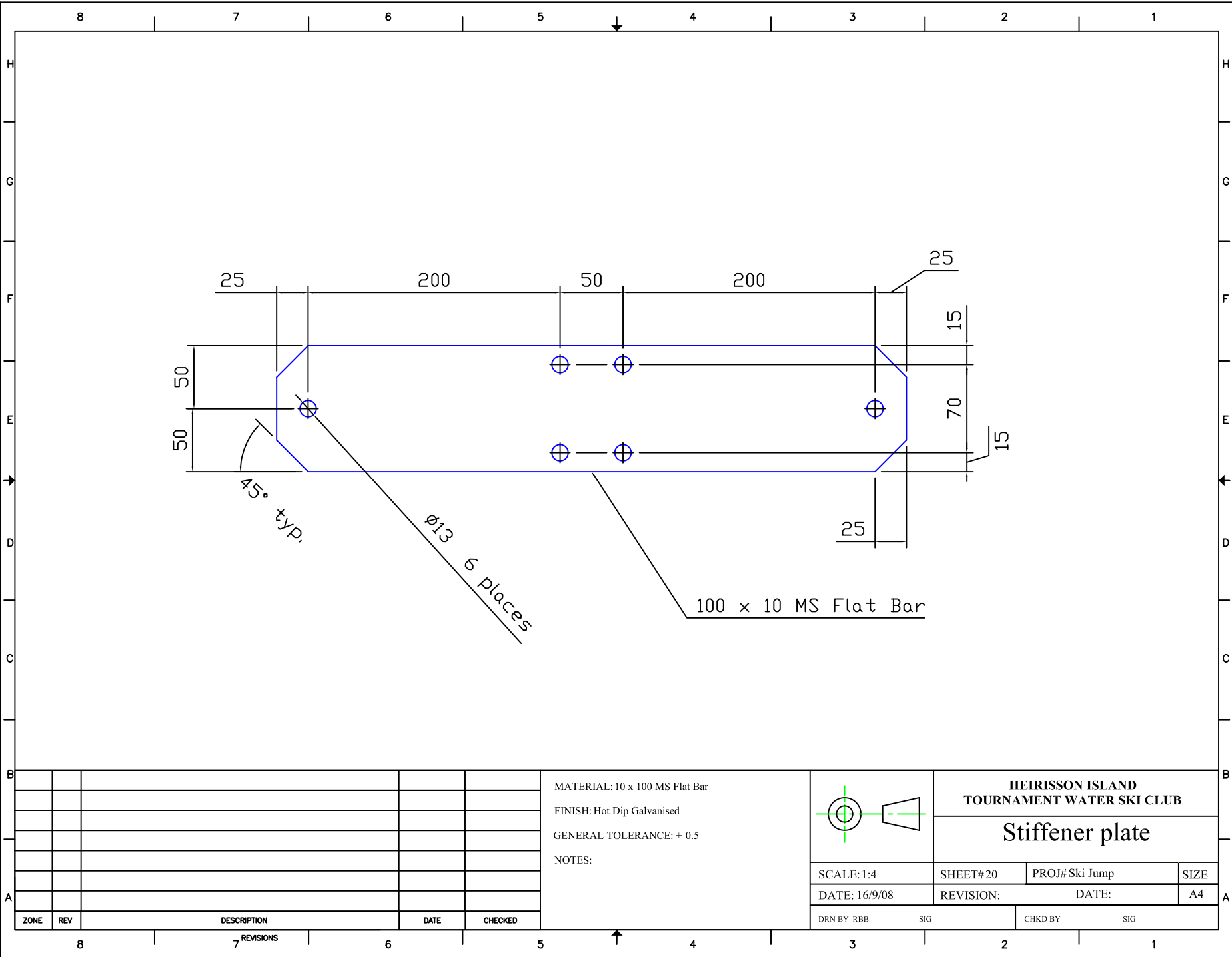
ZONE	REV	DESCRIPTION	DATE	CHECKED

MATERIAL: 50 x 4 Equal Angle Hot Rolled Steel  
FINISH: Hot Dip Galvanising  
GENERAL TOLERANCE: ±0.5  
NOTES:



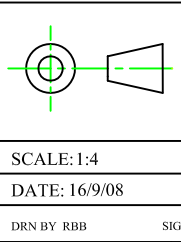
<b>HEIRISSON ISLAND TOURNAMENT WATER SKI CLUB</b>			
<b>Right Rear Apron frame</b>			
SCALE: 1:4	SHEET# 19	PROJ#	SIZE
DATE: 1/10/2008	REVISION:	DATE:	A1
DRN BY RBB	SIG	CHKD BY	SIG

ZONE	REV	DESCRIPTION	DATE	CHECKED



ZONE	REV	DESCRIPTION	DATE	CHECKED

MATERIAL: 10 x 100 MS Flat Bar  
 FINISH: Hot Dip Galvanised  
 GENERAL TOLERANCE: ± 0.5  
 NOTES:

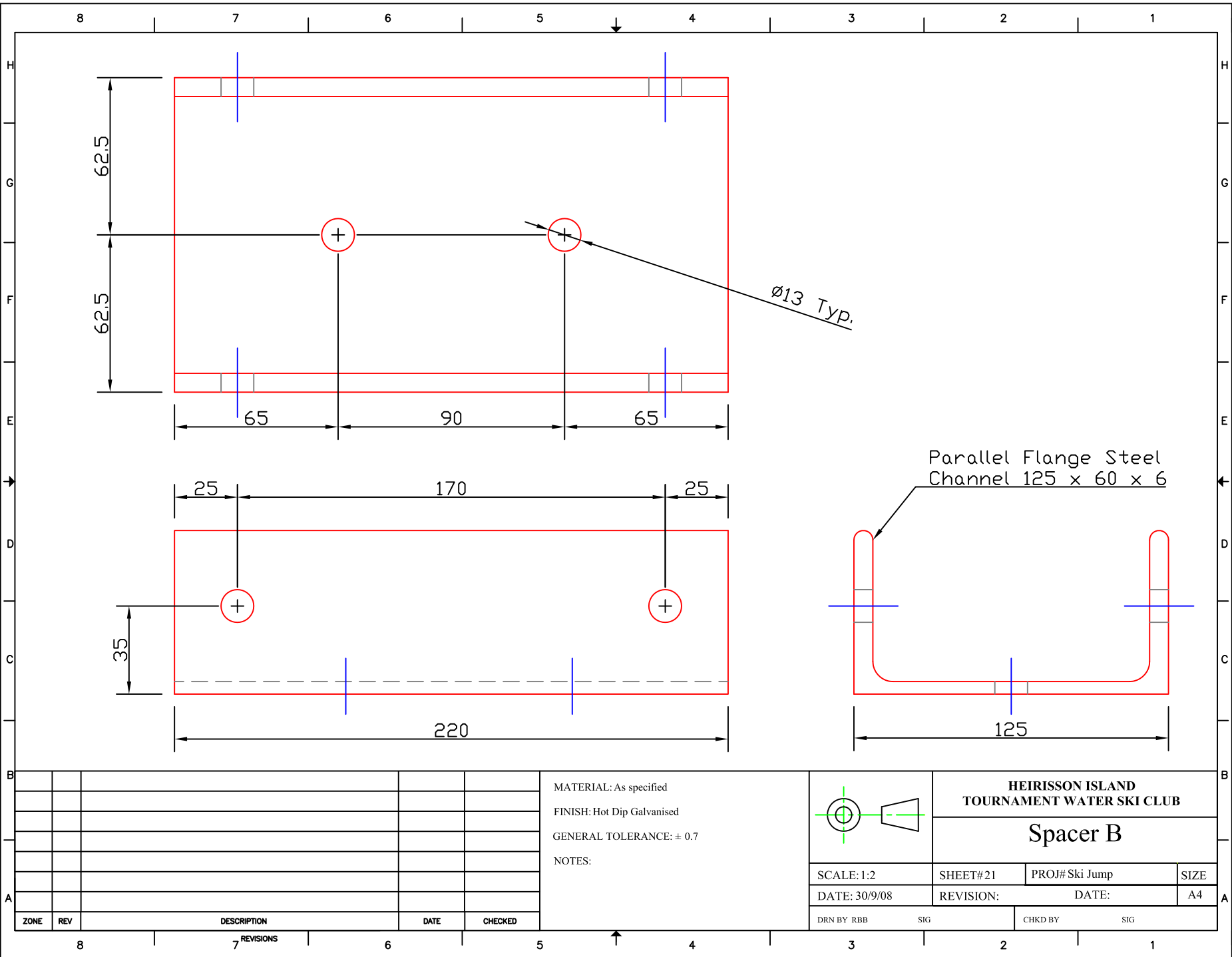


**HEIRISSON ISLAND  
TOURNAMENT WATER SKI CLUB**

**Stiffener plate**

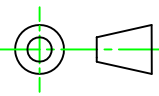
SCALE: 1:4	SHEET#20	PROJ# Ski Jump	SIZE
DATE: 16/9/08	REVISION:	DATE:	A4
DRN BY RBB	SIG	CHKD BY	SIG

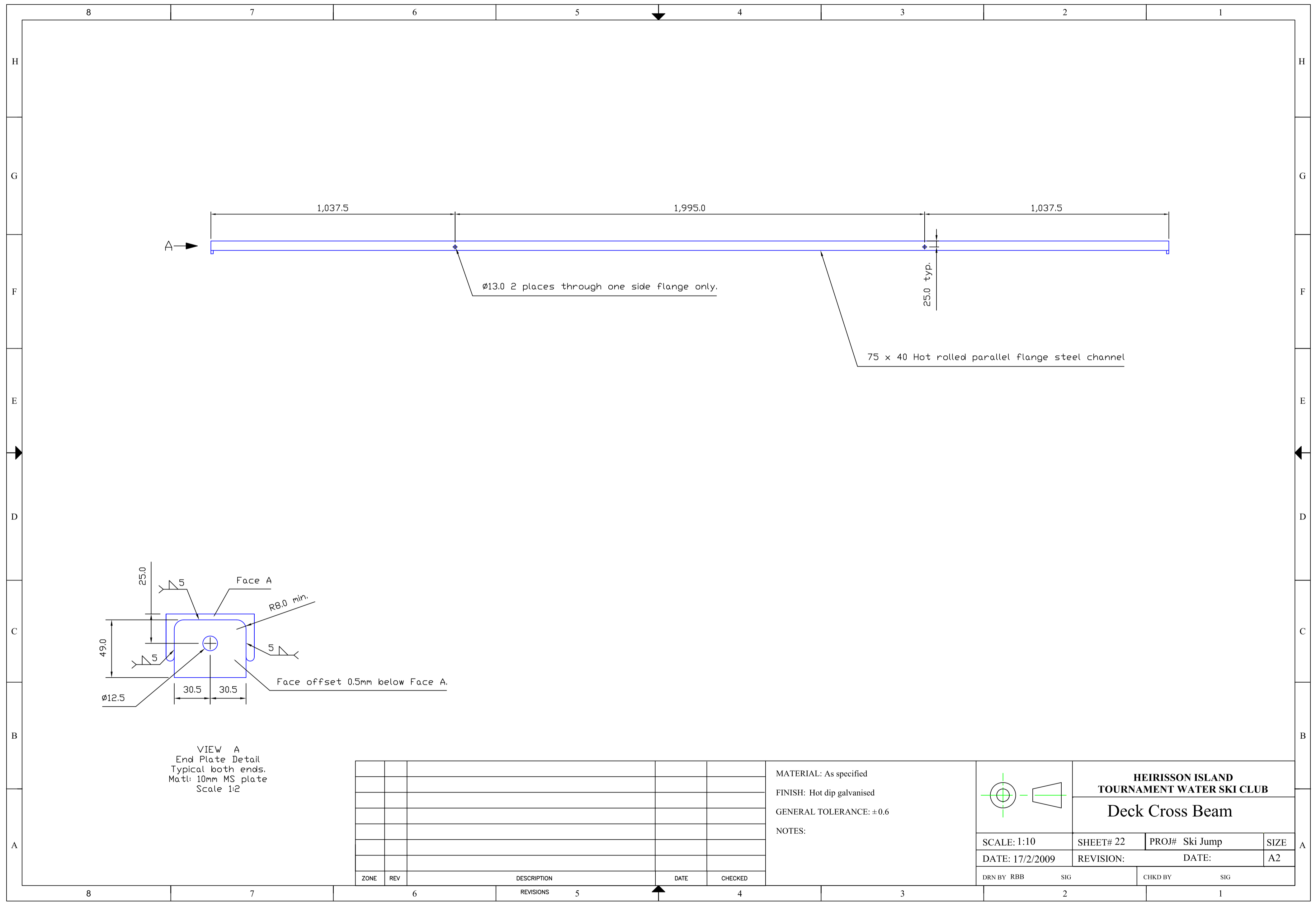




ZONE	REV	DESCRIPTION	DATE	CHECKED

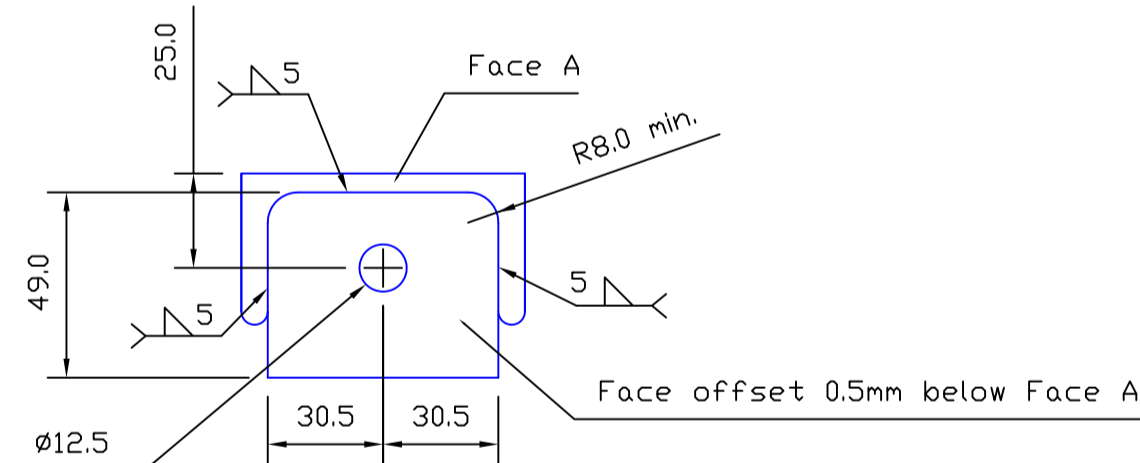
MATERIAL: As specified  
 FINISH: Hot Dip Galvanised  
 GENERAL TOLERANCE: ± 0.7  
 NOTES:

				<b>HEIRISSON ISLAND TOURNAMENT WATER SKI CLUB</b>			
<b>Spacer B</b>							
SCALE: 1:2		SHEET#21		PROJ# Ski Jump		SIZE	
DATE: 30/9/08		REVISION:		DATE:		A4	
DRN BY RBB		SIG		CHKD BY		SIG	



Ø13.0 2 places through one side flange only.

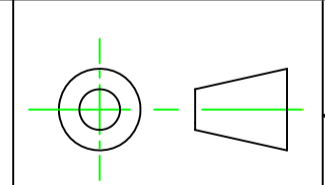
75 x 40 Hot rolled parallel flange steel channel



VIEW A  
End Plate Detail  
Typical both ends.  
Matl: 10mm MS plate  
Scale 1:2

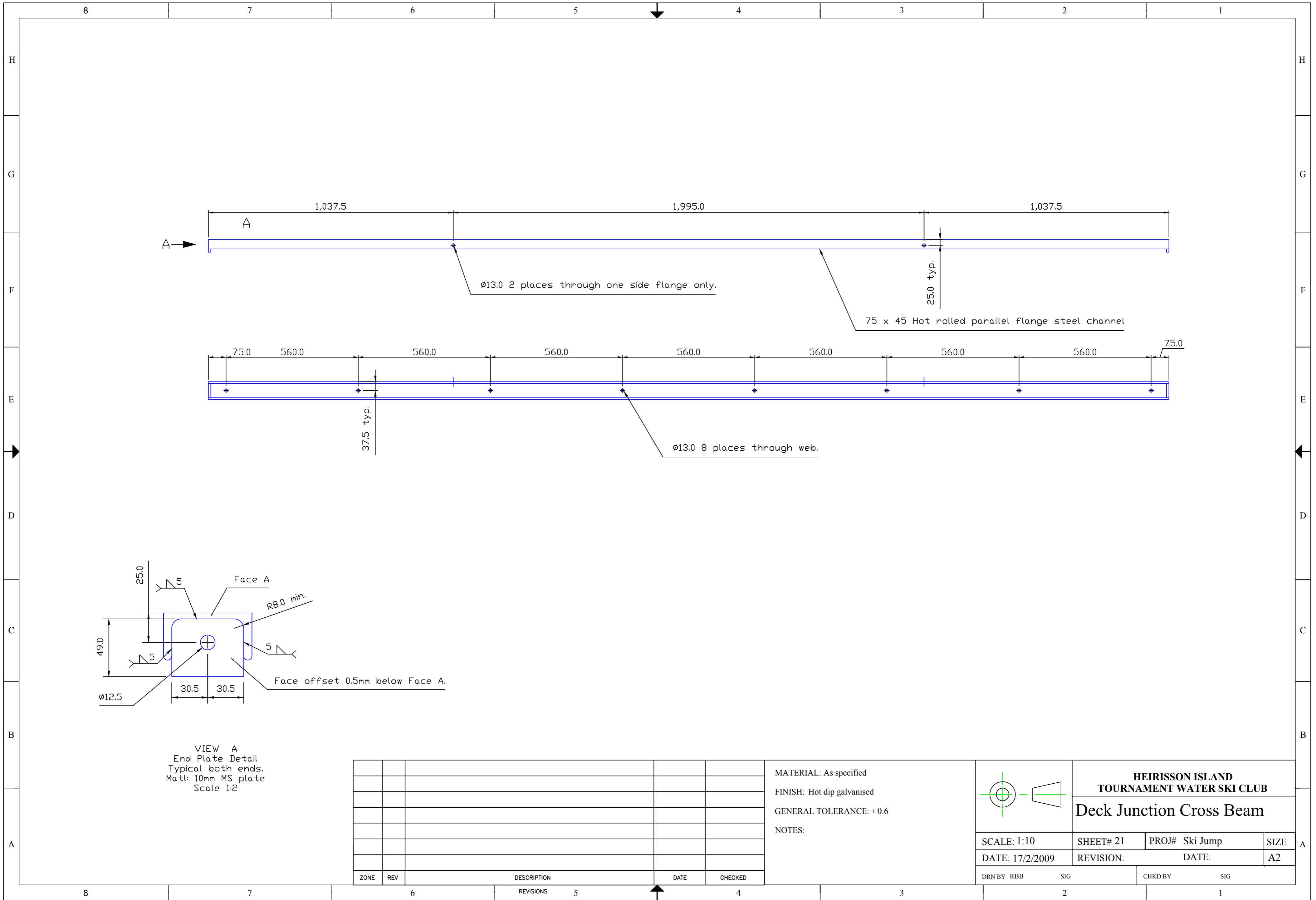
ZONE	REV	DESCRIPTION	DATE	CHECKED
		REVISIONS		

MATERIAL: As specified  
FINISH: Hot dip galvanised  
GENERAL TOLERANCE: ±0.6  
NOTES:



HEIRISSON ISLAND  
TOURNAMENT WATER SKI CLUB  
**Deck Cross Beam**

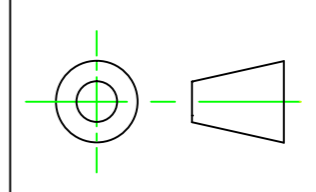
SCALE: 1:10	SHEET# 22	PROJ# Ski Jump	SIZE
DATE: 17/2/2009	REVISION:	DATE:	A2
DRN BY: RBB	SIG	CHKD BY:	SIG



VIEW A  
End Plate Detail  
Typical both ends.  
Matl: 10mm MS plate  
Scale 1:2

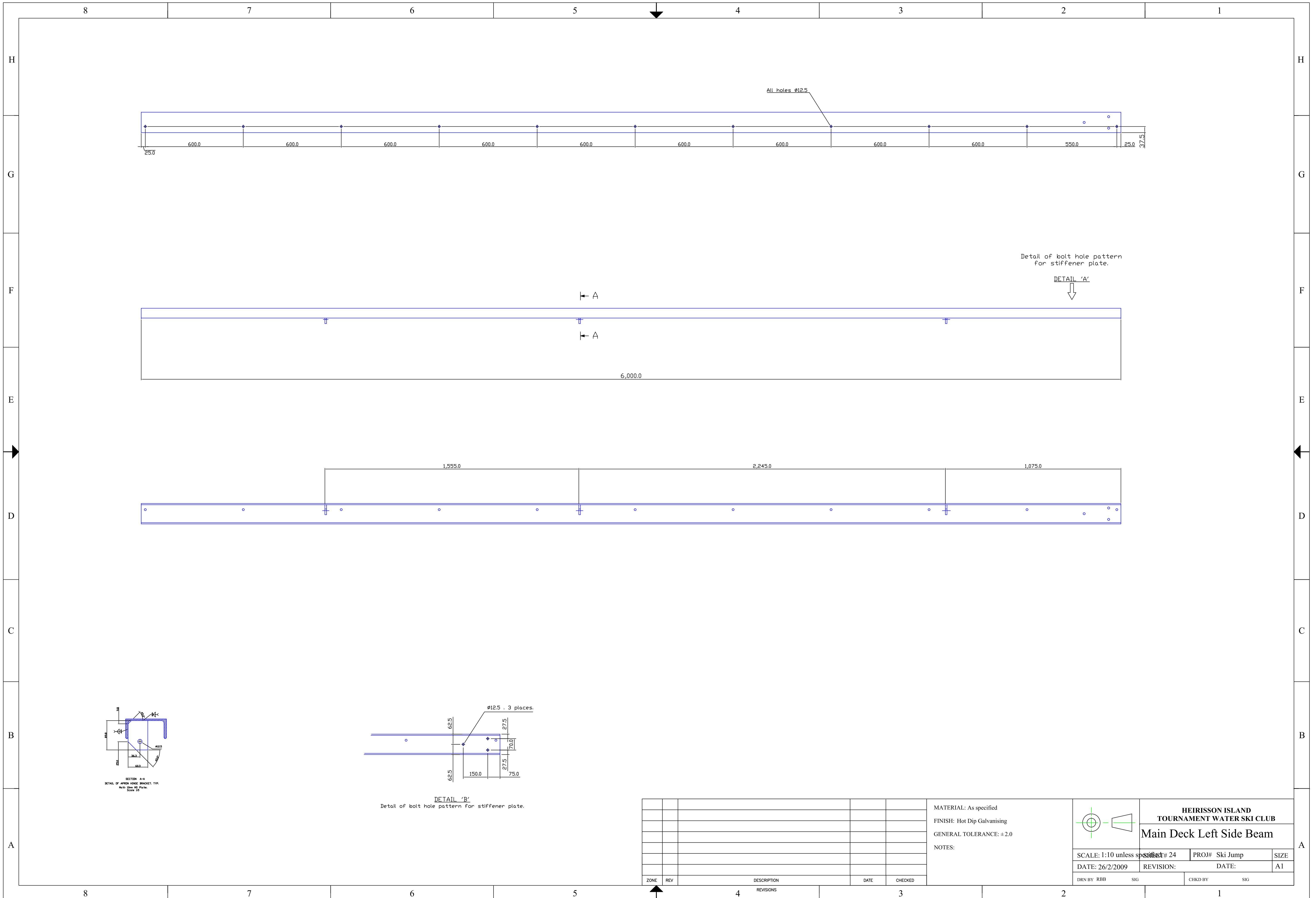
ZONE	REV	DESCRIPTION	DATE	CHECKED
		REVISIONS		

MATERIAL: As specified  
FINISH: Hot dip galvanised  
GENERAL TOLERANCE: ±0.6  
NOTES:



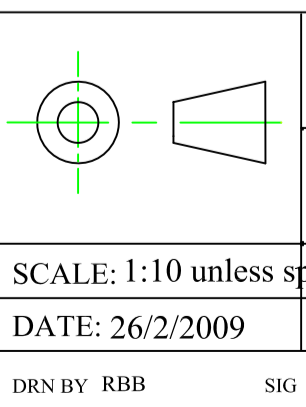
**HEIRISSON ISLAND  
TOURNAMENT WATER SKI CLUB**  
**Deck Junction Cross Beam**

SCALE: 1:10	SHEET# 21	PROJ# Ski Jump	SIZE
DATE: 17/2/2009	REVISION:	DATE:	A2
DRN BY RBB	SIG	CHKD BY	SIG

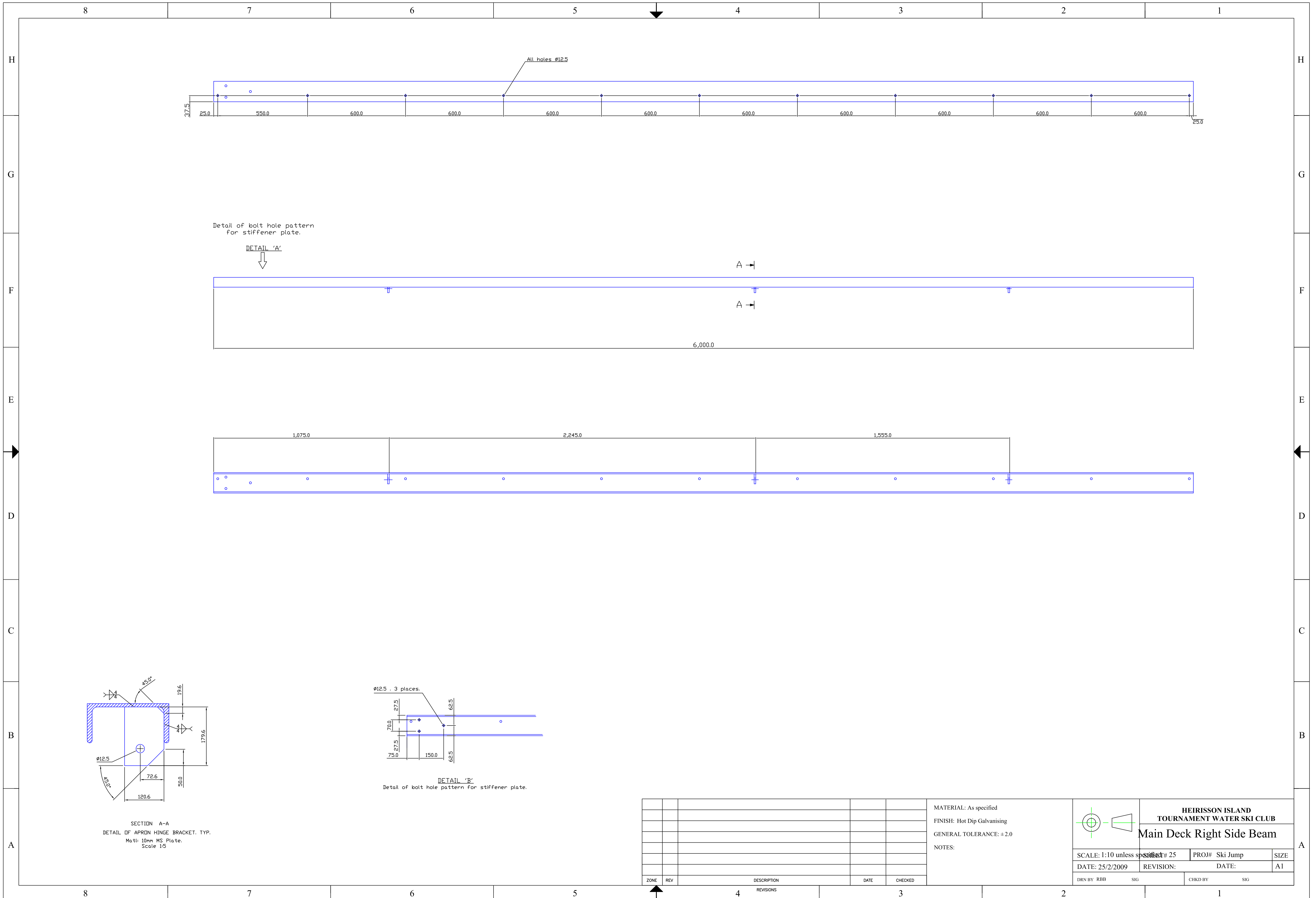


ZONE	REV	DESCRIPTION	DATE	CHECKED

MATERIAL: As specified  
 FINISH: Hot Dip Galvanising  
 GENERAL TOLERANCE:  $\pm 2.0$   
 NOTES:



<b>HEIRISSON ISLAND TOURNAMENT WATER SKI CLUB</b>			
<b>Main Deck Left Side Beam</b>			
SCALE: 1:10 unless specified	PROJ# Ski Jump	DATE:	SIZE
DATE: 26/2/2009	REVISION:	DATE:	A1
DRN BY RBB	SIG	CHKD BY	SIG

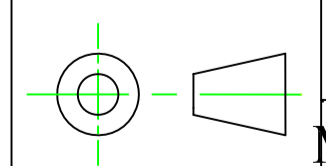


SECTION A-A  
DETAIL OF APRON HINGE BRACKET, TYP.  
Mat: 10mm MS Plate.  
Scale 1:5

ø12.5 . 3 places.  
DETAIL 'B'  
Detail of bolt hole pattern for stiffener plate.

ZONE	REV	DESCRIPTION	DATE	CHECKED

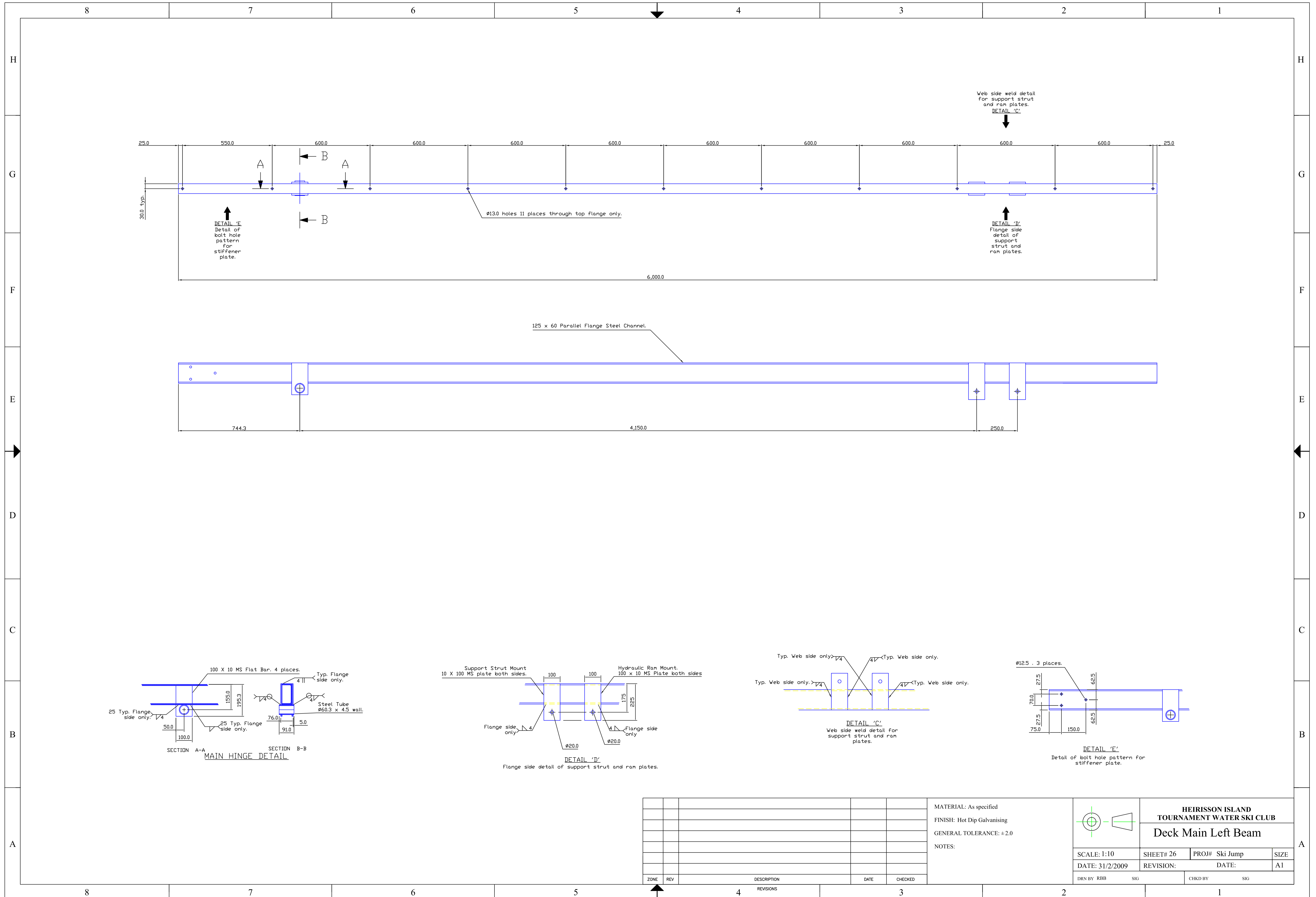
MATERIAL: As specified  
FINISH: Hot Dip Galvanising  
GENERAL TOLERANCE: ±2.0  
NOTES:



HEIRISSON ISLAND  
TOURNAMENT WATER SKI CLUB  
Main Deck Right Side Beam

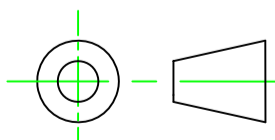
SCALE: 1:10 unless specified	PROJ# Ski Jump	SIZE
DATE: 25/2/2009	REVISION:	DATE:
DRN BY RBB	SIG	CHKD BY SIG

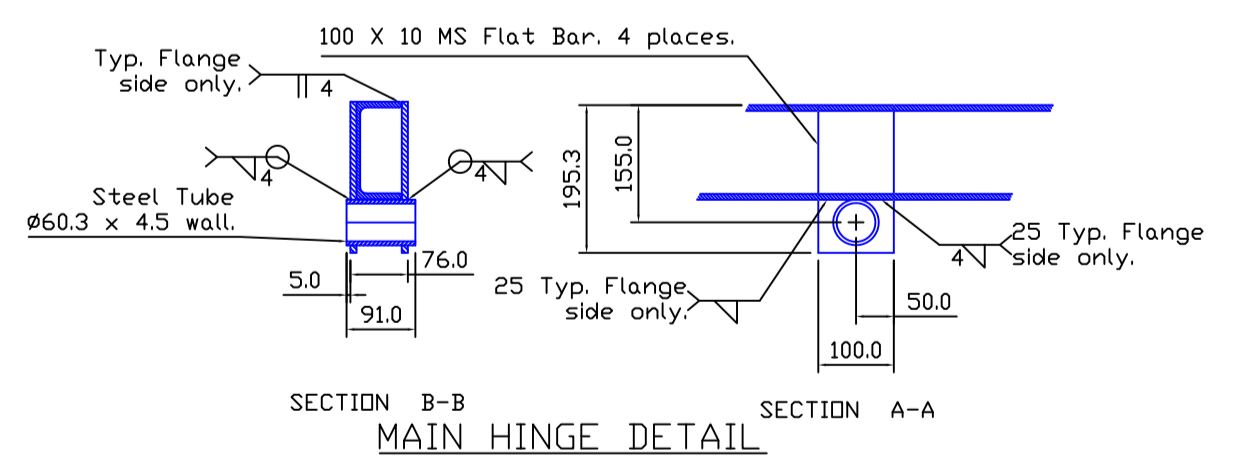
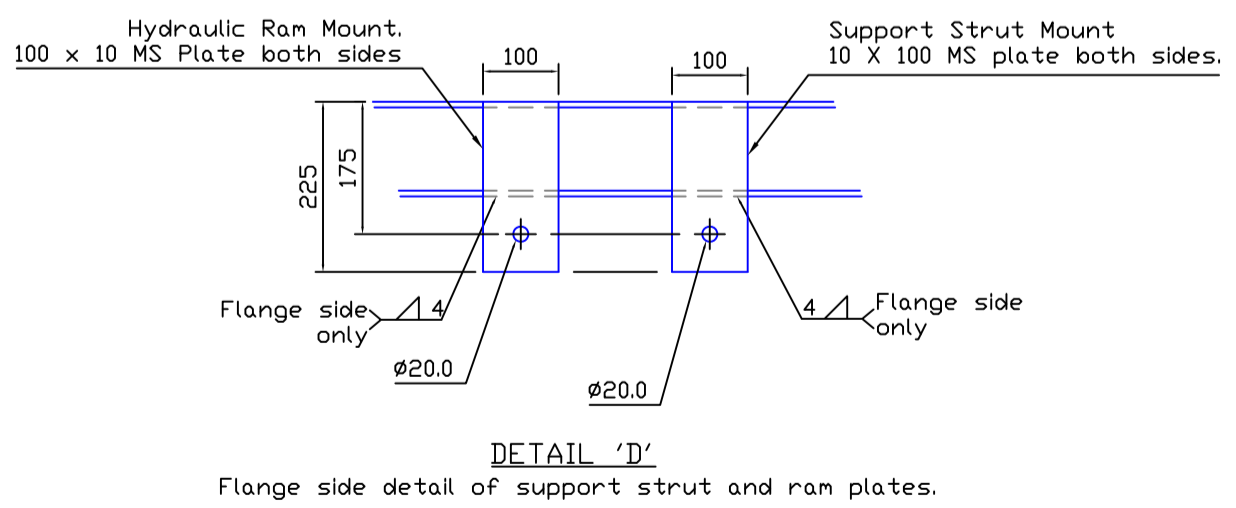
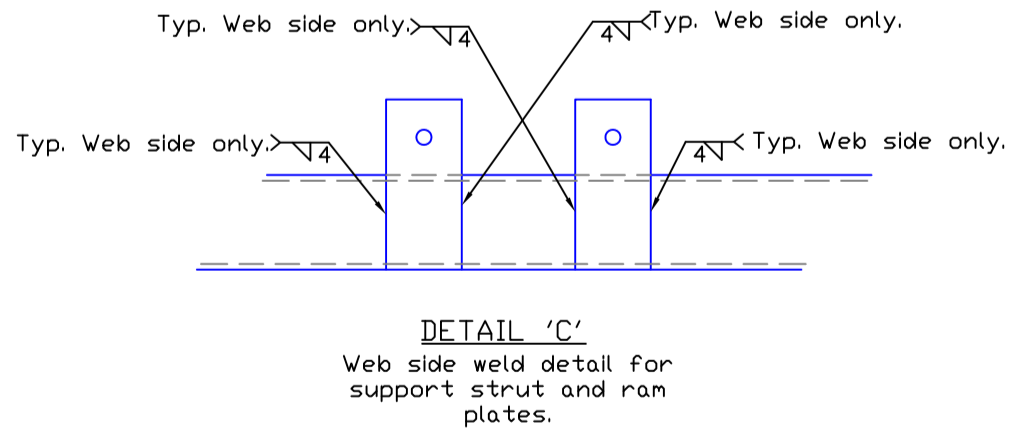
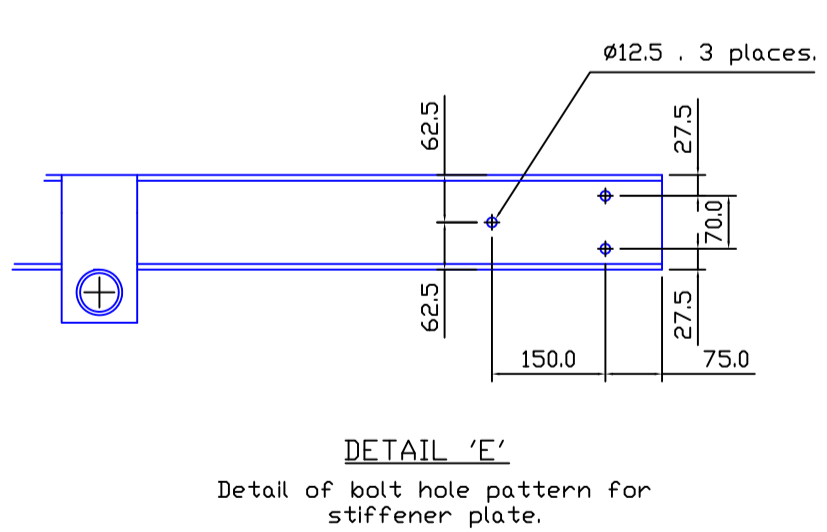
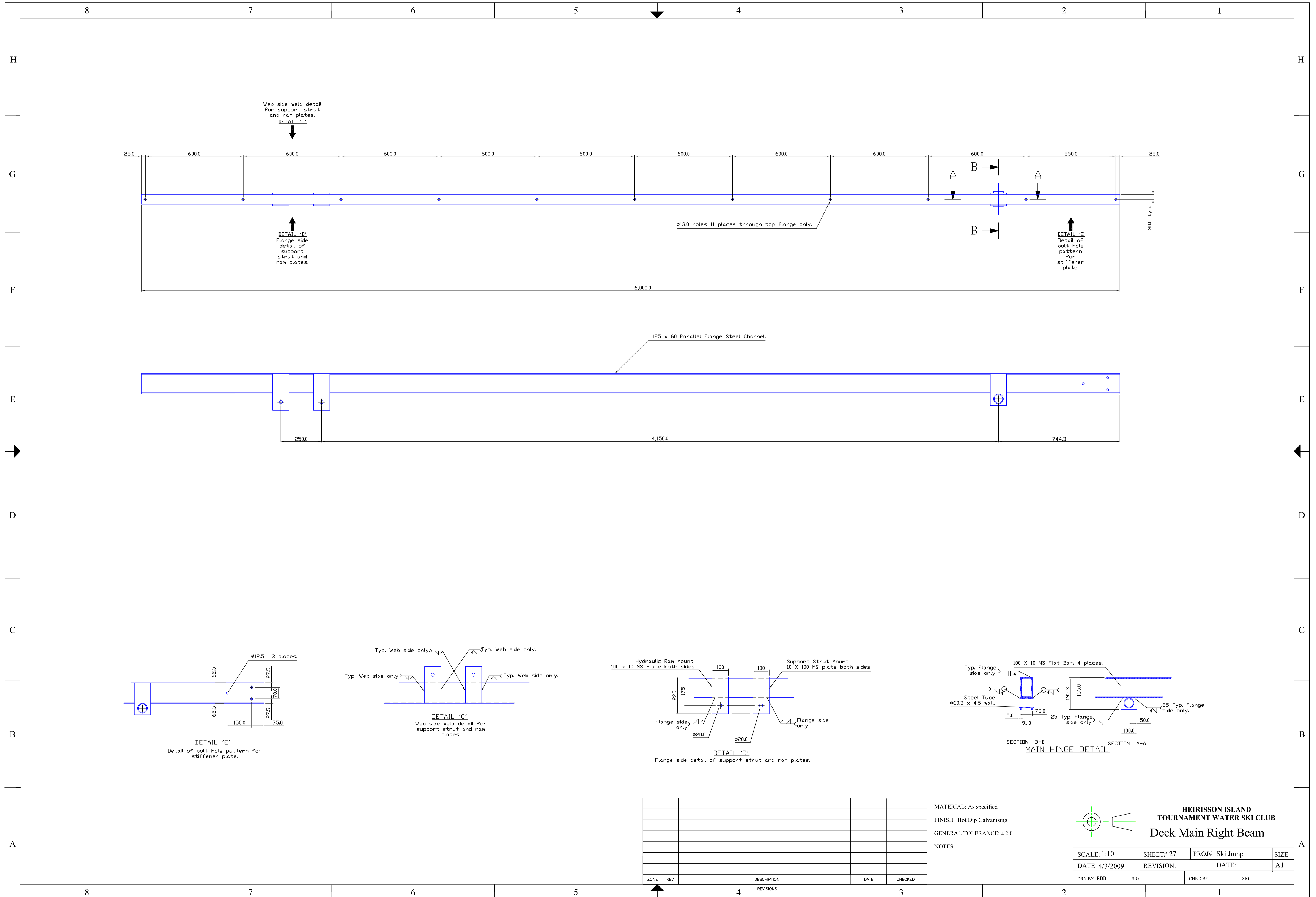
A1



ZONE	REV	DESCRIPTION	DATE	CHECKED

MATERIAL: As specified  
 FINISH: Hot Dip Galvanising  
 GENERAL TOLERANCE: ±2.0  
 NOTES:

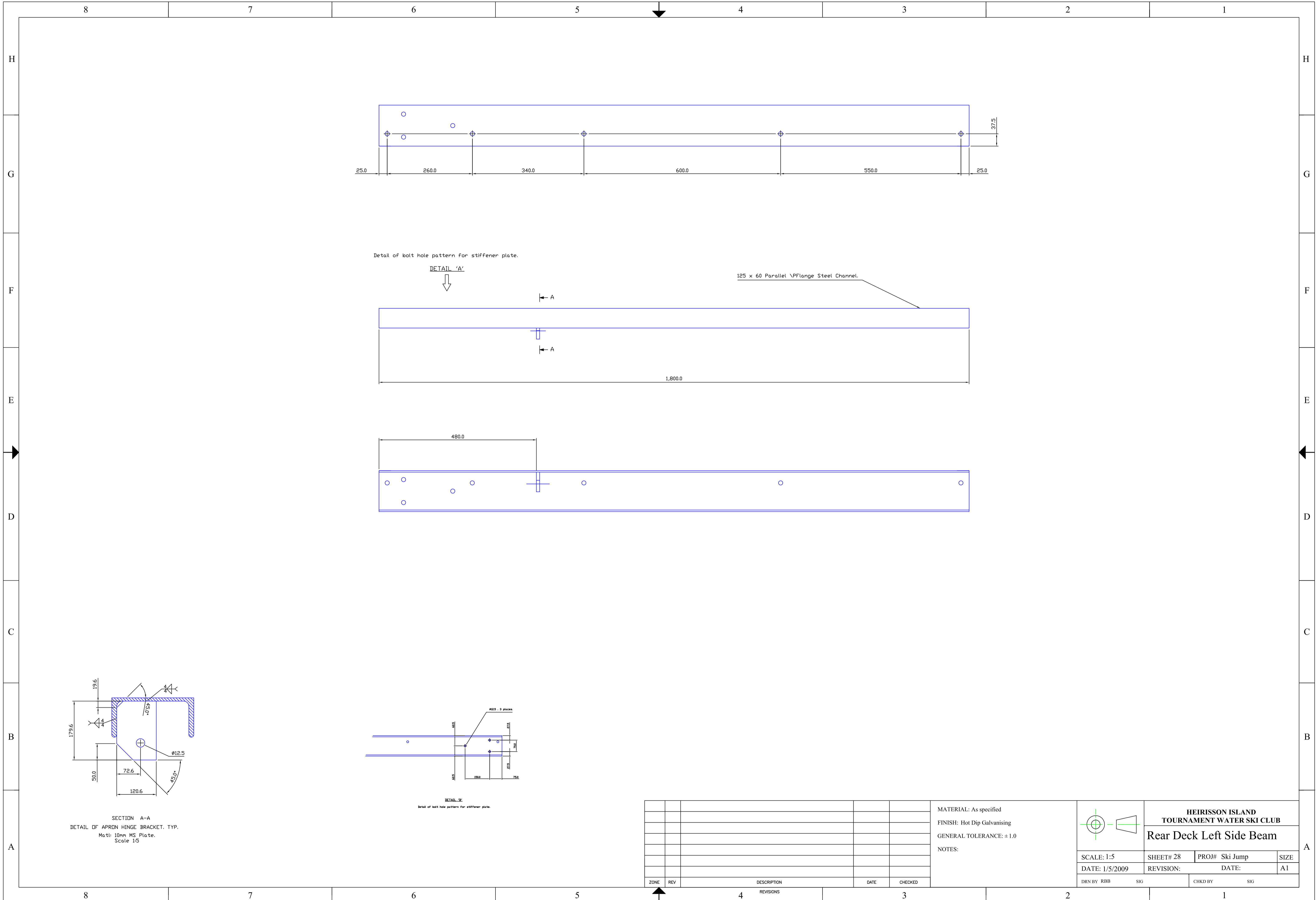
				<b>HEIRISSON ISLAND          TOURNAMENT WATER SKI CLUB</b> <b>Deck Main Left Beam</b>			
SCALE: 1:10		SHEET# 26		PRO# Ski Jump		SIZE	
DATE: 31/2/2009		REVISION:		DATE:		A1	
DRN BY RBB		SIG		CHKD BY		SIG	



ZONE	REV	DESCRIPTION	DATE	CHECKED

MATERIAL: As specified  
 FINISH: Hot Dip Galvanising  
 GENERAL TOLERANCE: ±2.0  
 NOTES:

<b>HEIRISSON ISLAND TOURNAMENT WATER SKI CLUB</b> <b>Deck Main Right Beam</b>			
SCALE: 1:10	SHEET# 27	PRO# Ski Jump	SIZE
DATE: 4/3/2009	REVISION:	DATE:	A1
DRN BY RBB	SIG	CHKD BY	SIG



SECTION A-A  
 DETAIL OF APRON HINGE BRACKET. TYP.  
 Matl: 10mm MS Plate.  
 Scale 1:5

DETAIL 'C'  
 Detail of bolt hole pattern for stiffener plate.

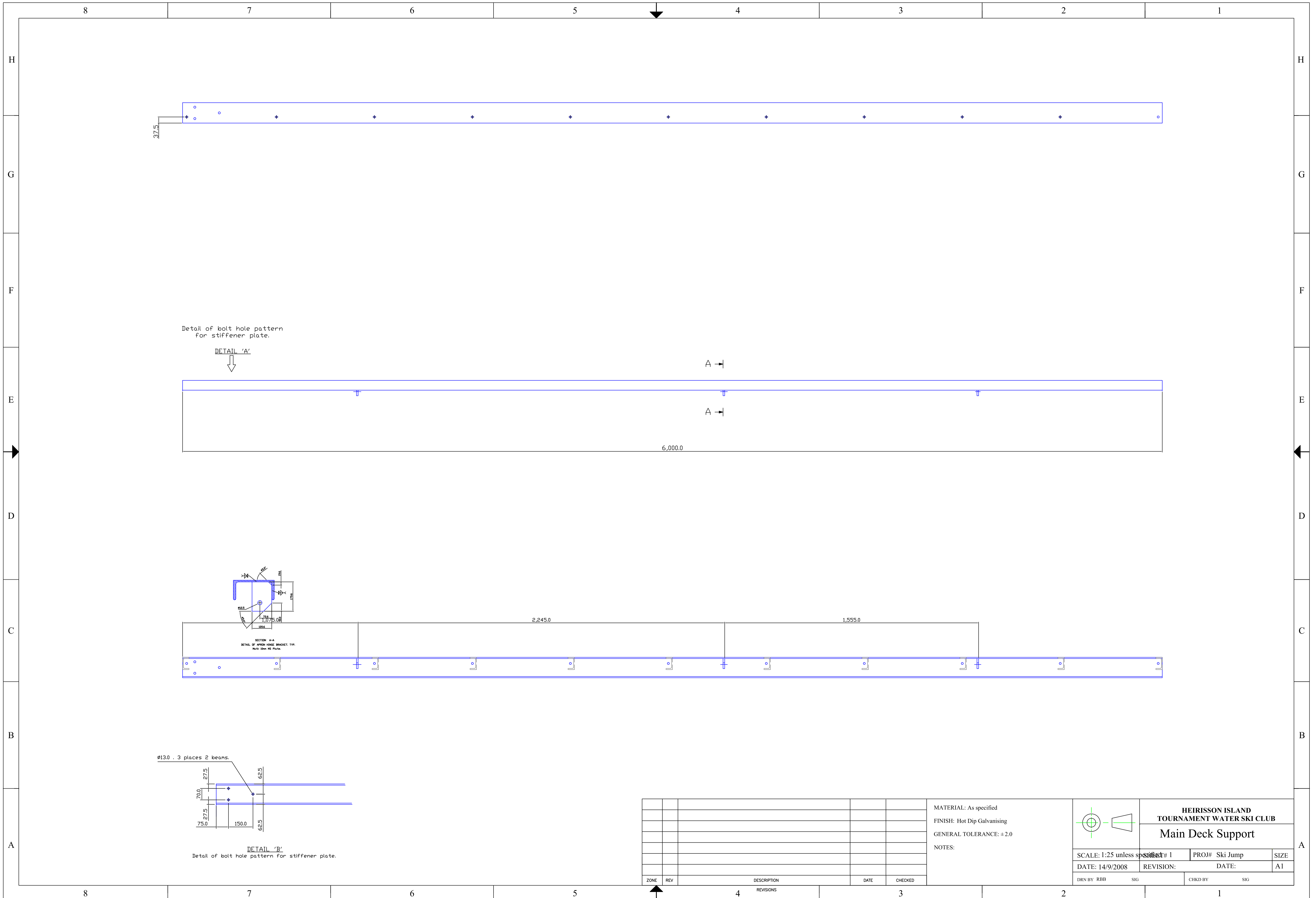
125 x 60 Parallel \PFlange Steel Channel.

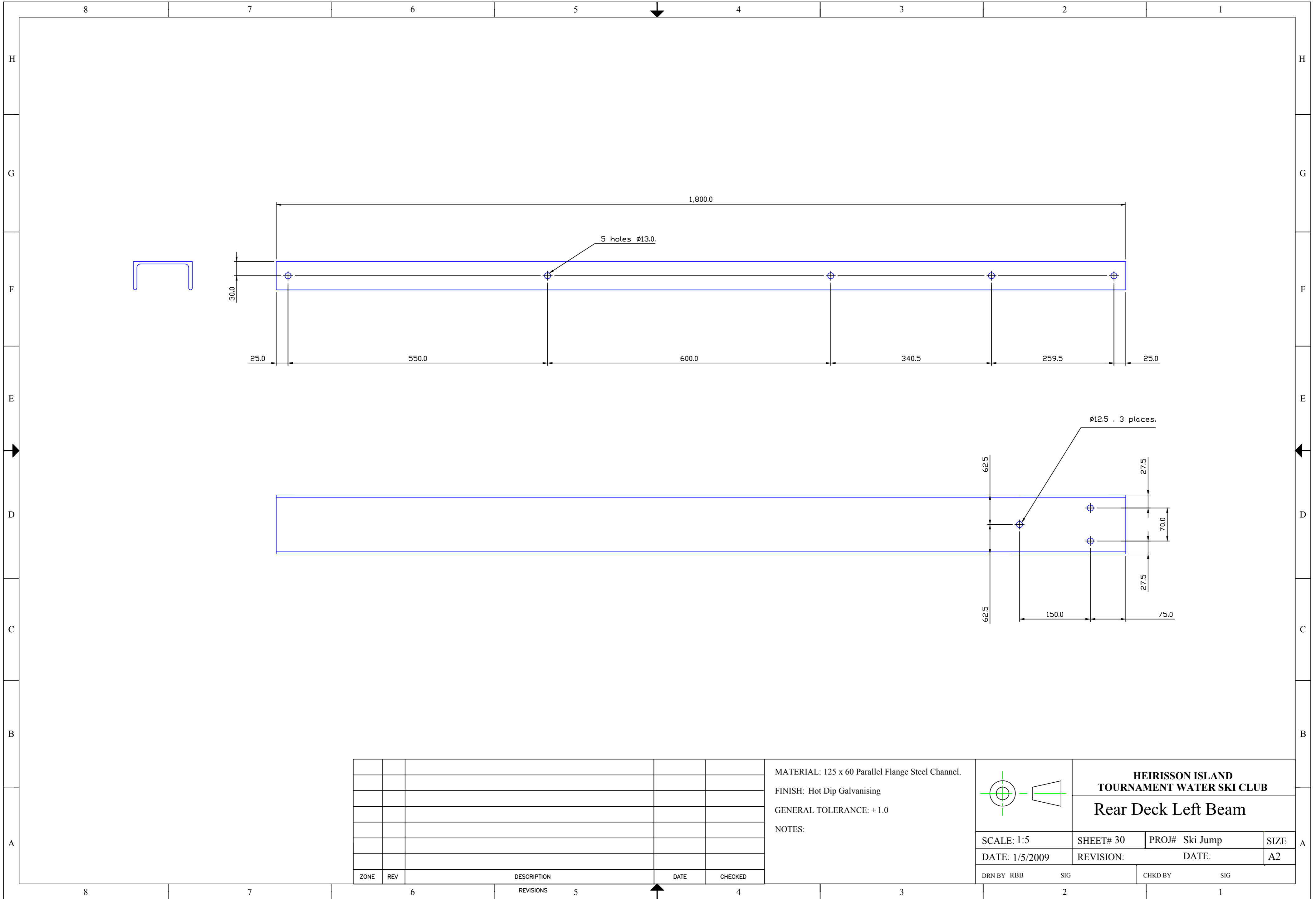
ZONE	REV	DESCRIPTION	DATE	CHECKED

MATERIAL: As specified  
 FINISH: Hot Dip Galvanising  
 GENERAL TOLERANCE: ± 1.0  
 NOTES:

				<b>HEIRISSON ISLAND        TOURNAMENT WATER SKI CLUB</b>			
				<b>Rear Deck Left Side Beam</b>			
SCALE: 1:5	SHEET# 28	PROJ# Ski Jump	SIZE				
DATE: 1/5/2009	REVISION:	DATE:	A1				
DRN BY RBB	SIG	CHKD BY	SIG				

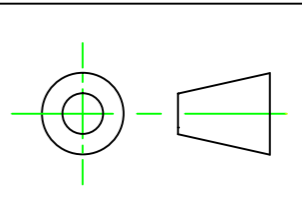






ZONE	REV	DESCRIPTION	DATE	CHECKED
		REVISIONS		

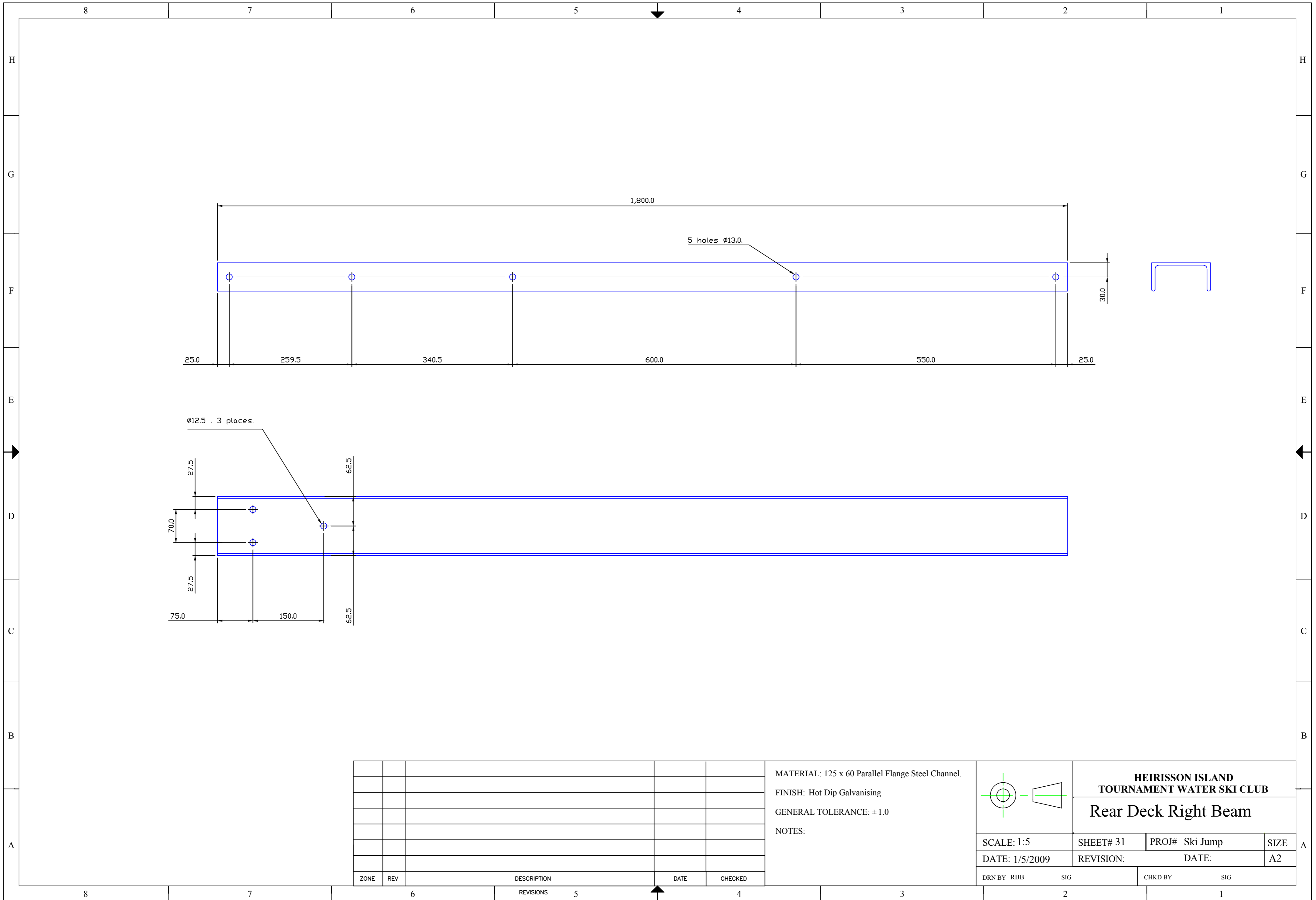
MATERIAL: 125 x 60 Parallel Flange Steel Channel.  
 FINISH: Hot Dip Galvanising  
 GENERAL TOLERANCE: ± 1.0  
 NOTES:



**HEIRISSON ISLAND  
TOURNAMENT WATER SKI CLUB**

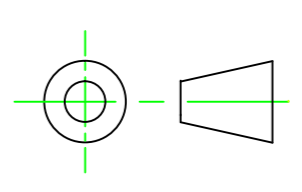
**Rear Deck Left Beam**

SCALE: 1:5	SHEET# 30	PROJ# Ski Jump	SIZE
DATE: 1/5/2009	REVISION:	DATE:	A2
DRN BY RBB	SIG	CHKD BY	SIG



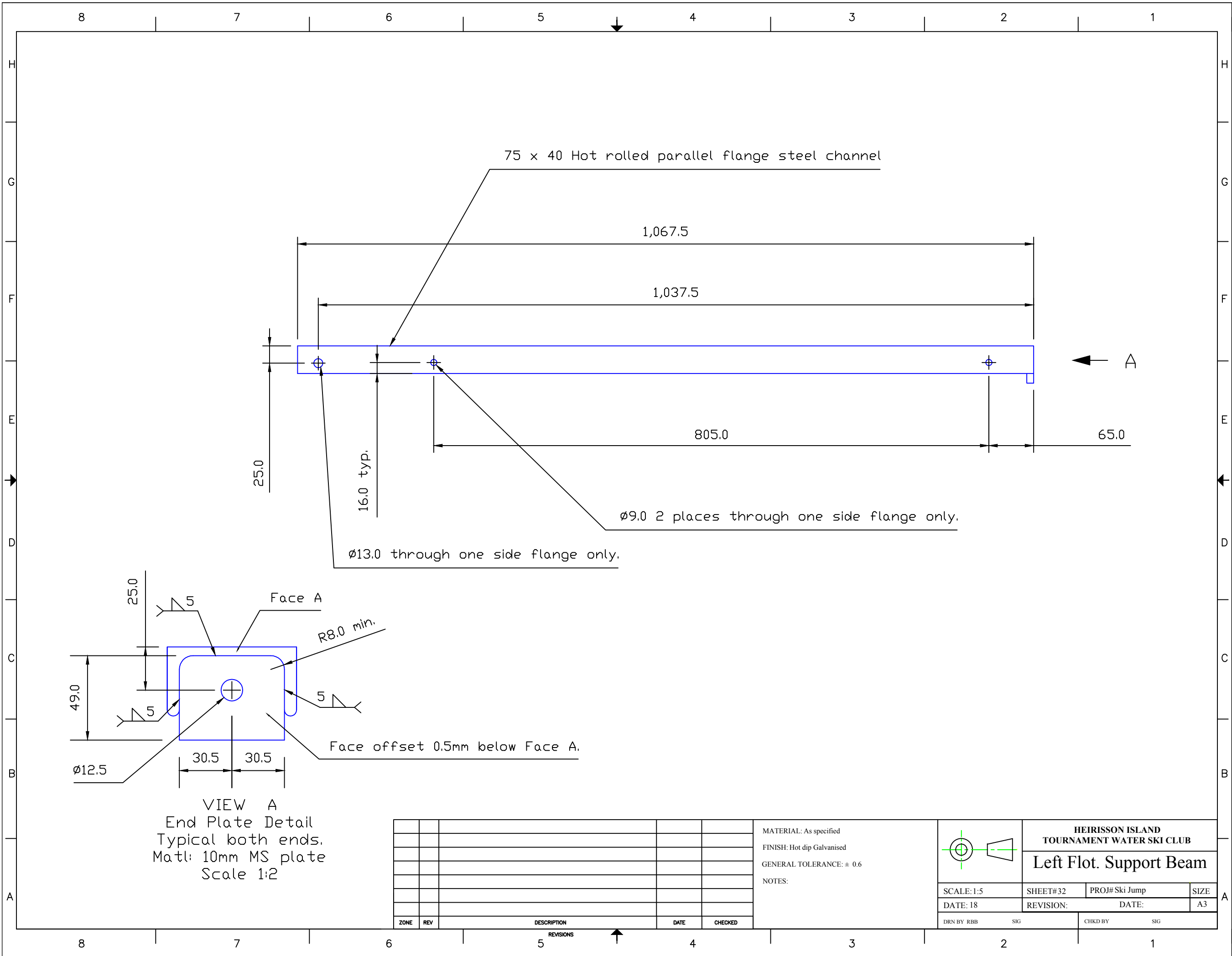
ZONE	REV	DESCRIPTION	DATE	CHECKED

MATERIAL: 125 x 60 Parallel Flange Steel Channel.  
 FINISH: Hot Dip Galvanising  
 GENERAL TOLERANCE: ± 1.0  
 NOTES:



**HEIRISSON ISLAND  
 TOURNAMENT WATER SKI CLUB**  
**Rear Deck Right Beam**

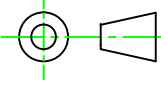
SCALE: 1:5	SHEET# 31	PROJ# Ski Jump	SIZE
DATE: 1/5/2009	REVISION:	DATE:	A2
DRN BY RBB	SIG	CHKD BY	SIG

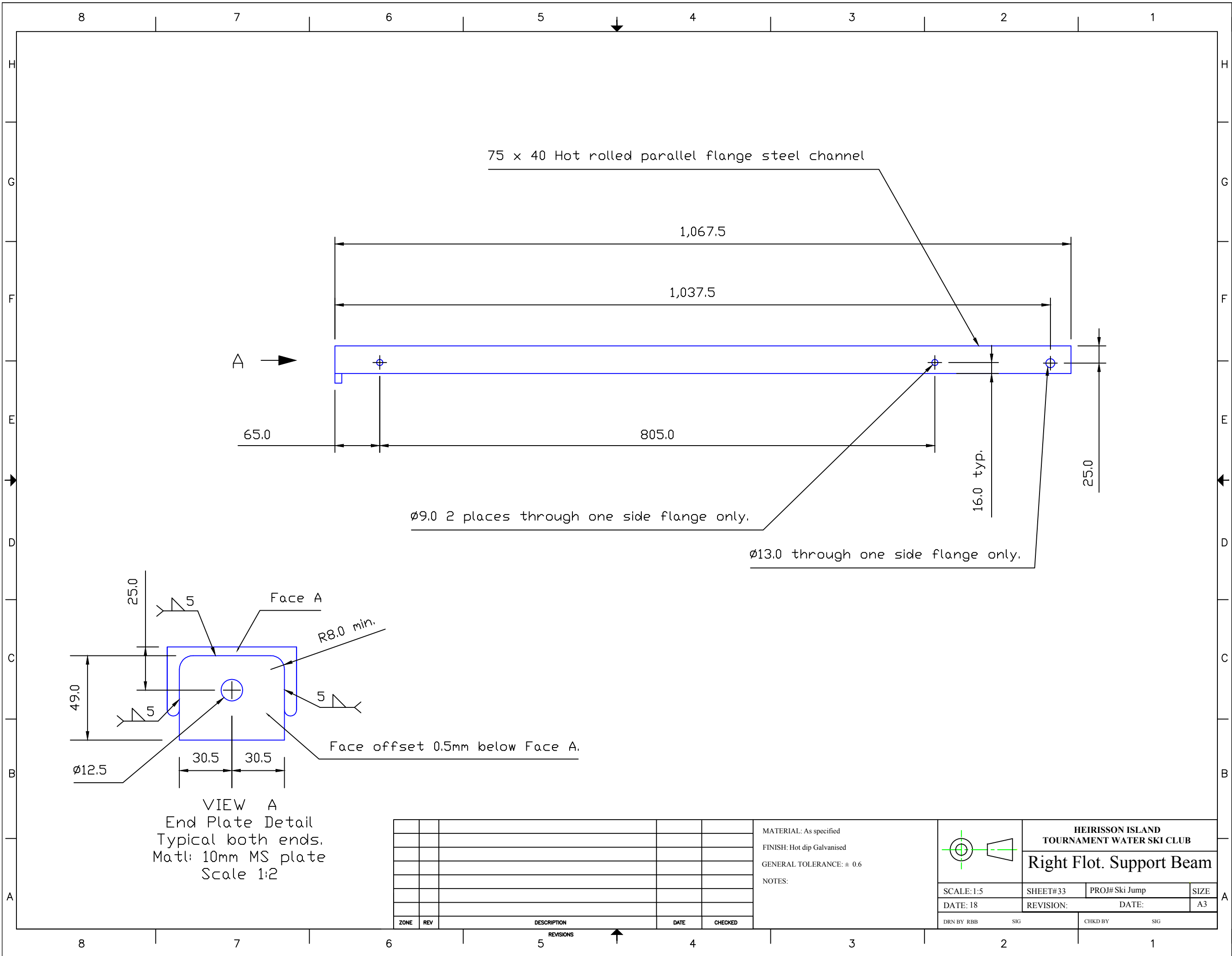


VIEW A  
End Plate Detail  
Typical both ends.  
Matl: 10mm MS plate  
Scale 1:2

ZONE	REV	DESCRIPTION	DATE	CHECKED

MATERIAL: As specified  
 FINISH: Hot dip Galvanised  
 GENERAL TOLERANCE: ± 0.6  
 NOTES:

				<b>HEIRISSON ISLAND TOURNAMENT WATER SKI CLUB</b>			
<b>Left Flot. Support Beam</b>							
SCALE: 1:5		SHEET# 32		PROJ# Ski Jump		SIZE	
DATE: 18		REVISION:		DATE:		A3	
DRN BY RBB		SIG		CHKD BY		SIG	



75 x 40 Hot rolled parallel flange steel channel

1,067.5

1,037.5

A →

65.0

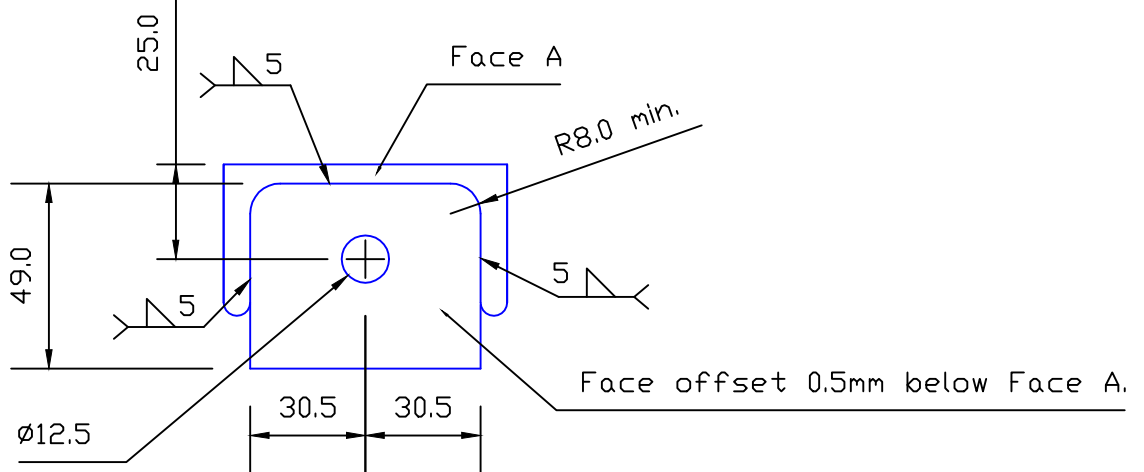
805.0

16.0 typ.

250

Ø9.0 2 places through one side flange only.

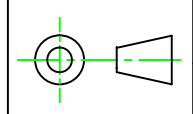
Ø13.0 through one side flange only.



VIEW A  
End Plate Detail  
Typical both ends.  
Matl: 10mm MS plate  
Scale 1:2

ZONE	REV	DESCRIPTION	DATE	CHECKED

MATERIAL: As specified  
FINISH: Hot dip Galvanised  
GENERAL TOLERANCE: ± 0.6  
NOTES:



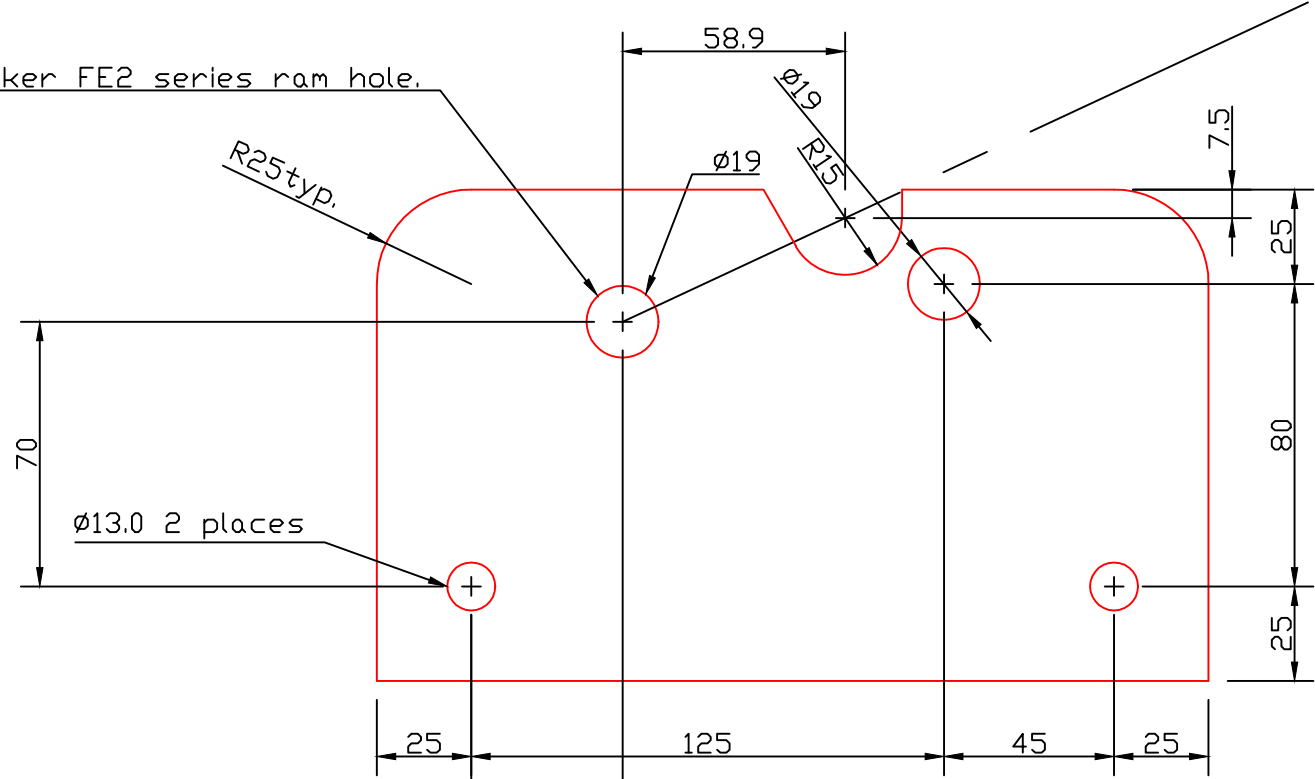
HEIRISSON ISLAND  
TOURNAMENT WATER SKI CLUB

Right Flot. Support Beam

SCALE: 1:5	SHEET# 33	PROJ# Ski Jump	SIZE
DATE: 18	REVISION:	DATE:	A3
DRN BY RBB	SIG	CHKD BY	SIG

Baker FE2 series ram hole.

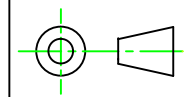
R25typ.



Matl: 130 x 10 Flat Bar Steel Hot dipped galvanised.

ZONE	REV	DESCRIPTION	DATE	CHECKED

MATERIAL: As specified  
 FINISH: Hot Dip Galvanised  
 GENERAL TOLERANCE: ± 0.7  
 NOTES:



HEIRISSON ISLAND  
 TOURNAMENT WATER SKI CLUB

Ram Bracket

SCALE: 1:2	SHEET# 34	PROJ# Ski Jump	SIZE
DATE: 29/6/10	REVISION:	DATE:	A4
DRN BY RBB	SIG	CHKD BY	SIG

7 REVISIONS